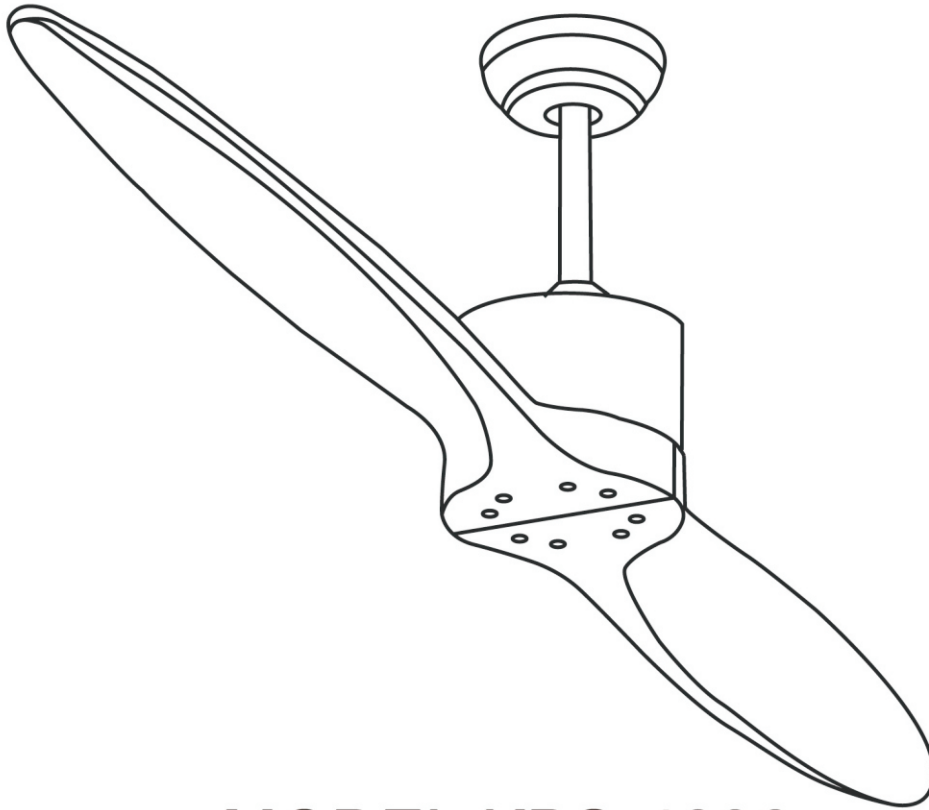


XENON LIGHT

LIGHTS & ACCESSORIES



MODEL KBS-4836

USE AND CARE GUIDE

52 INCH SOLID WOOD CEILING FAN

Xenon-Light d.o.o.
Šavnička 51/18, Beograd, Srbija
www.xenonlight.rs / office@xenonlight.rs
Tel/Fax +381 11 2755371; 2086129

Safety Information

1. To reduce the risk of electrical shock the electricity has been turned off at the circuit breaker or fuse box before begin.
2. All wiring must be in accordance with the National Electrical Code NASI/NFPA 70 -1999 and local electrical codes. Electrical installation should be performed by a qualified licensed electrician .
3. The outlet box and support structure must be securely mounted and capable of reliably supporting 35ib. (15.9kg).Use only UL listed outlet boxes marked "Acceptable for Fan Support of 35ibs(15.9kg)or less."
4. The fan must be mounted with a minimum of 7 ft. (2m) clearance from the trailing edge of the blades to the floor.
5. Do not operate the reversing switch while the fan blades are in motion. You must turn the fan off and stop the blades before you reverse the blade direction.
6. Do not place objects in the path of the blades.
7. To avoid personal injury or damage to the fan and other items use caution when working around or cleaning the fan.
8. Electrical diagrams are for reference only. Light kits that are not packed with the fan must be UL-listed and marked suitable for use with the model fan you are installing. Switches must be UL General Use Switches. Refer to the instructions packaged with the light kits and switches for proper assembly.
9. After making electrical connections , spliced conductors should be turned upward and pushed carefully up into the outlet box.The wires should be spread apart with the grounded conductor and the equipment-grounding conductor on one side of the outlet box.
10. All setscrews must be checked and retightened where necessary before installation.



WARNING:TO reduce the risk of personal injury, do not bend the blade brackets (also referred to as flanges) during assembly or after installation.Do not insert objects in the path of the blades .



WARNING: Remove the rubber motor stops on the bottom of the fan before installing the blades or testing the motor.



WARNING: To reduce the risk of fire or electric shock,do not use this fan with any solid-state speed control device.



WARNING:To avoid possible electrical shock, turn the electricity off at the main fuse box before wiring.It you feel you do not have enough electrical wiring knowledge or experience, contact a licensed electrician.



WARNING: Electrical diagrams are for reference only. Optional use of any light kit shall be UL-listed and marked suitable for use with this fan.



WARNING: To reduce the risk of fire, electric shock, or personal injury. mount to outlet box marked " Acceptable for fan support of 35 lbs.(15.9 kg)or less." and use the screws provided with the outlet box.

Warranty

The supplier warrants the fan motor to be free from defects in workmanship and material present at time of shipment from the factory for a lifetime after the date of purchase by the original purchaser. The supplier also warrants that all other fan parts, excluding any glass or acrylic blades, to be free from defects in workmanship and material at the time of shipment from the factory for a period of one year after the date of purchase by the original purchaser. We agree to correct such defects without charge or at our option replace with a comparable or superior model if the product is returned. To obtain warranty service, you must present a copy of the receipt's proof of purchase. All costs of removing and reinstalling the product are your responsibility. Damage to any part, such as by accident, misuse, improper installation or by affixing any accessories, is not covered by this warranty. Because of varying climatic conditions this warranty does not cover any changes in brass finish, including rusting, pitting, corroding, tarnishing, or peeling. Brass finish of this type give their longest useful life when protected from varying weather conditions. A certain amount of "wobble" is normal and should not be considered a defect. Servicing performed by unauthorized persons shall render the warranty invalid. There is no other express warranty. hereby disclaims any and all warranties, including but not limited to those of merchantability and fitness for a particular purpose to the extent permitted by law. The duration of any implied warranty which cannot be disclaimed is limited to the time period as specified in the express warranty. Some states do not allow a limitation on how long an implied warranty lasts, so the above limitation may not apply to you. The retailer shall not be liable for incidental, consequential, or special damages arising out of or in connection with product use or performance except as may otherwise be accorded by law. Some states do not allow the exclusion of incidental or consequential damages, so the above exclusion or limitation may not apply to you. This warranty gives specific legal rights, and you may also have other rights which vary from state to state. This warranty supersedes all prior warranties. Shipping costs for any return of products as part of a claim on the warranty must be paid by the customer.

Pre-Installation

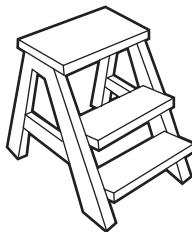
TOOLS REQUIRED



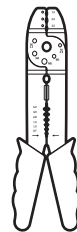
Phillips
screwdriver



Flat blade
screwdriver



Step
ladder



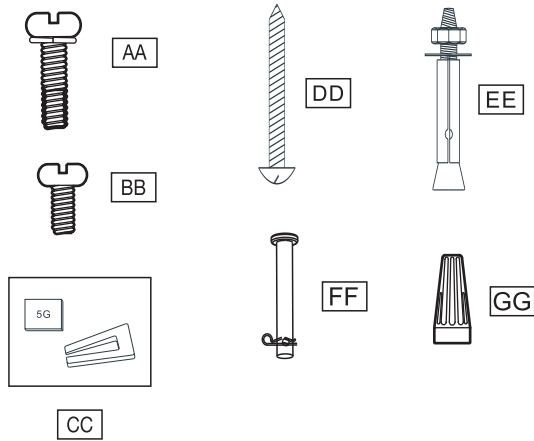
Wire
stripper



Electrical
tape

Pre-Installation(continued)

HARDWARE INCLUDED components table



NOTE: Hardware not shown to actual size.

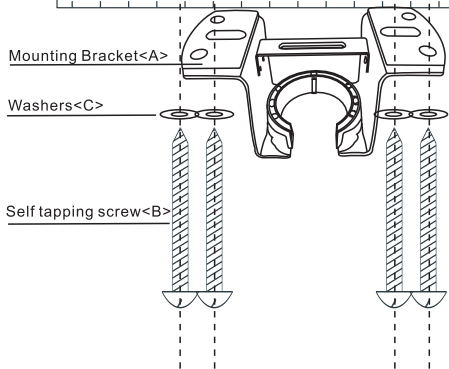
AA	Blade attachment screw and fiber washer (preassembled)	6
BB	Light kit mounting screw(preassembled)	3
CC	Balanced parts package	1
DD	Mounting screws	4
EE	Expansion Bolts	2
FF	Lock washer(preassembled)	1
GG	Plastic wire nut(not to scale)	5

PACKAGE CONTENTS

A Fan-motor assembly 1	B Slide-on mounting bracket (inside canopy) 1	C Canopy 1
D Coupling cover 1	E Blade 2	
F 12.5CM Ball/downrod assembly 1		
	H Remote control (Transmitter) 1	I Remote control (receiver) 1

Installation of the hanging bracket (suspension part)

Wooden ceiling



For wooden ceiling, use wood screw to drill on the wooden beam or the "junction box" to fix the hanging bracket (selection is made according to actual requirements of the customers).

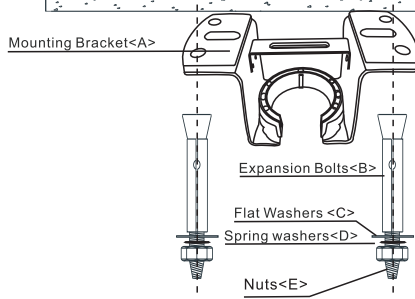
STEP 1A-WOODEN CEILING

SWITCH OFF THE ELECTRICAL MAINS AT THE CIRCUIT BREAKER FUSE BOX.

- 1) Use the Mounting Bracket (A) as a guide, mark the spots where the 4 Self Tapping Screws (B) will be drilled.
- 2) Remove the Mounting Bracket (A), drill 4 holes for 3MM diameter, install the mounting bracket onto wooden ceiling with the 4 Self Tapping Screws (B) & Washers (C).

⚠ IMPORTANT : SCREWS MUST BE TIGHTENED TILL SNUG

CONCRETE CEILING



⚠ Note: According to the ceiling of different materials, use different screws to fix the hanging bracket. Don't fix the hanging bracket on the wood ceiling less than 12MM to prevent danger caused by loosening of screws. After the hanging bracket is completed, ensure that it can withstand the tension test of more than 68KG for safety.

For concrete ceiling, use the percussion bit with diameter 8mm to drill holes according to the length of expansion screws. Then use the attached expansion screws to fix the hanging bracket onto the ceiling (selection is made according to actual requirements of the customers).

STEP 2A - CONCRETE CEILING

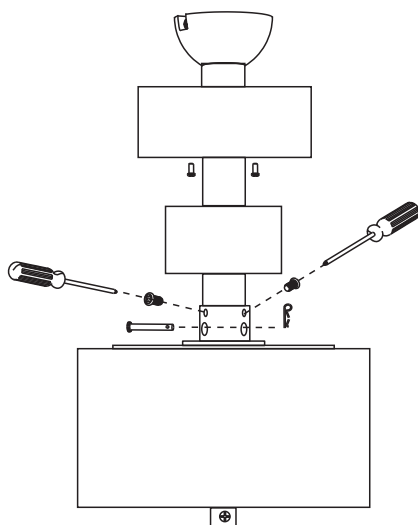
SWITCH OFF THE ELECTRICAL MAINS AT THE CIRCUIT BREAKER FUSE BOX.

- 1) Use the Mounting Bracket (A) as a guide, mark the spots where the 4 Expansion Bolts (B) will be drilled.
- 2) Remove the Mounting Bracket (A), drill 4 holes and insert 4 Expansion Bolts (2) into the concrete ceiling, install the mounting bracket and secure with Flat Washers (C), Spring Washers (D) and Nuts (E).

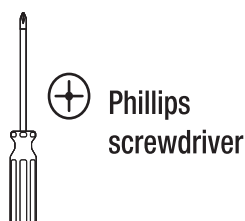
⚠ IMPORTANT : SCREWS & NUTS MUST BE TIGHTENED TILL SNUG

Install the hanging part of the ceiling fan.

1. install downrod assembly

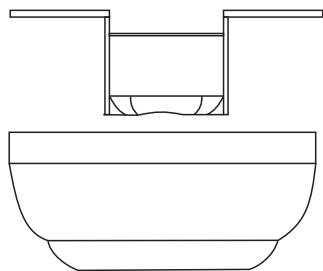


1. Thread the suspender through the suspended clock and coupling cover .
2. Then insert the tail of the suspender from the lifting head of the motor.
3. After the lateral pin is threaded out from the suspended head position, insert R type pin.
4. Tighten the lifting head screws.
5. Hang the fan of the hanging pipe into the hanger.



Assembly – Hanging the Fan(continued)

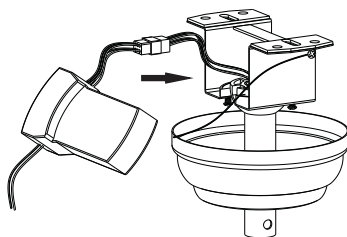
Preparing for mounting



⊕ Phillips
screwdriver

- 1: Remove the mounting bracket from the canopy by loosening the two canopy screws located in the L shaped slots.
- 2: Remove and save the two canopy screws in the round holes. This will enable you to remove the mounting bracket

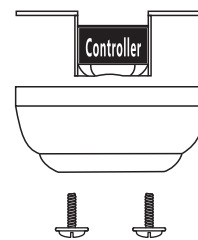
Install remote control



1. Carefully push the canopy to the bottom of the mounting bracket, make two sliding holes aligned to the two prominent screws on the mounting bracket, and then turn clockwise until tight.
2. Push the canopy ring to the bottom of the canopy, slide the inner holes aligned to the two prominent screws on the mounting bracket again, and turn the canopy ring clockwise until tight.

remote control <ONLY>

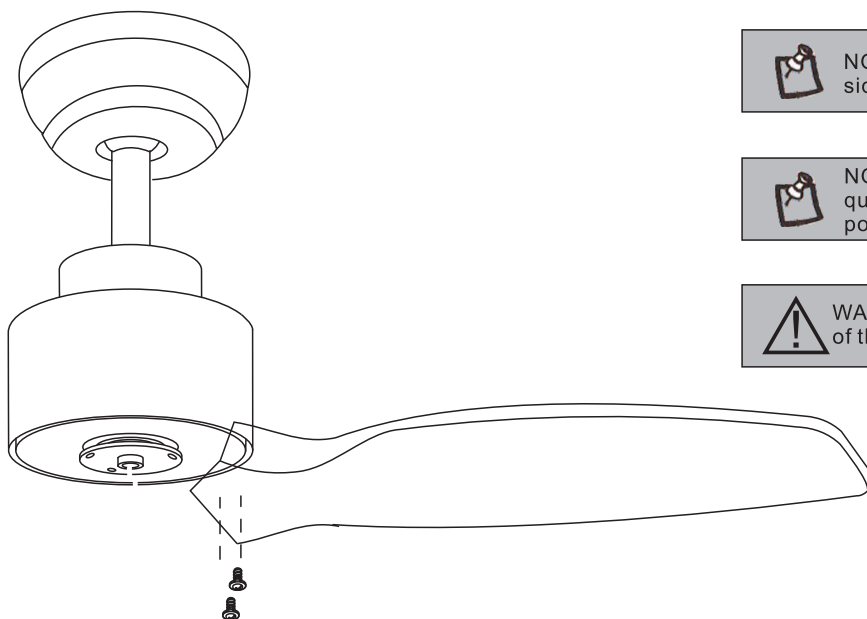
Preparing for mounting



- 1: Remove the mounting bracket from the canopy by loosening the two canopy screws located in the L shaped slots.
- 2: Remove and save the two canopy screws in the round holes. This will enable you to remove the mounting bracket

Assembly – Attaching the Fan Blades

1. Fastening the blade to the motor



NOTE: Your fan blades are reversible. Select the blade side finish which best accentuates your decor.



NOTE: Your fan features revolutionary advancements for quick and easy blade installation. Including an alignment post and captive blade arm screws.



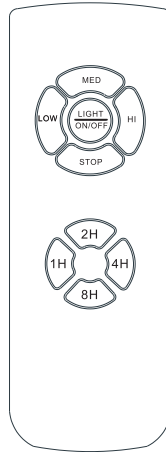
WARNING: Remove the rubber motor stops on the bottom of the fan before installing the blades or testing the motor.



⊕ Phillips
screwdriver

1. Fasten the Blade to the fan-motor assembly by inserting the alignment post into the slot on the bottom of the motor and tightening the pre-installed Blade screws.
2. Repeat this step for the remaining blade assemblies.

Use of remote control



LIGHT NO/OFF (Light only)

1H

Auto off after 1hr

2H

Auto off after 2hr

4H

Auto off after 4hr

8H

Auto off after 8hr

LOW

FanSpeed Low Level

MED

FanSpeed Middle Level

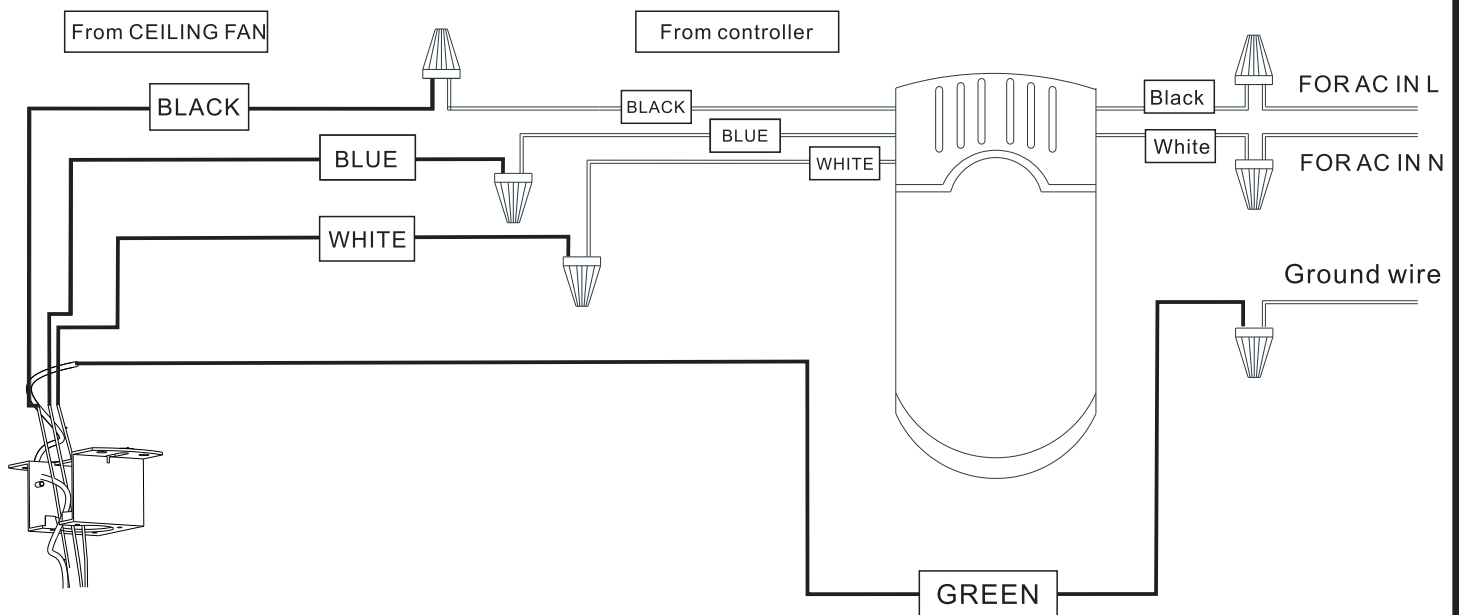
HI

FanSpeed High level

STOP

FanSTOP

Remote control wiring diagram

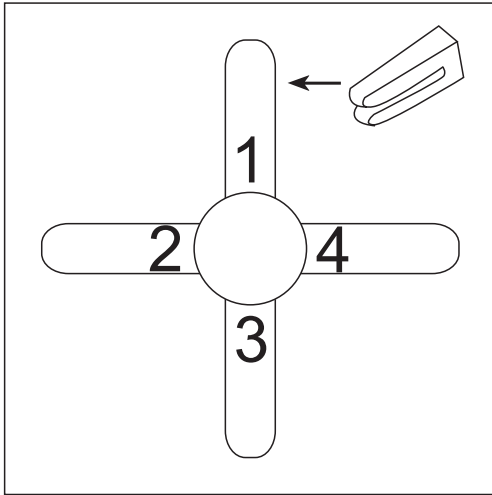


- The motor **white** wire to the **white "TO MOTORN"** wire from Receiver with a wire nut.
- The motor **black** wire to the **black "to motor L"** wire from Receiver with a wire nut.
- The lamp **blue** wire to the **blue "to Light"** wire from Receiver with a wire nut.
- The **white** wire from Outlet Box to the red "**AC in N**" wire from Receiver with a wire nut.
- The **black** wire from Outlet Box to the red "**AC in L**" wire from Receiver with a wire nut.

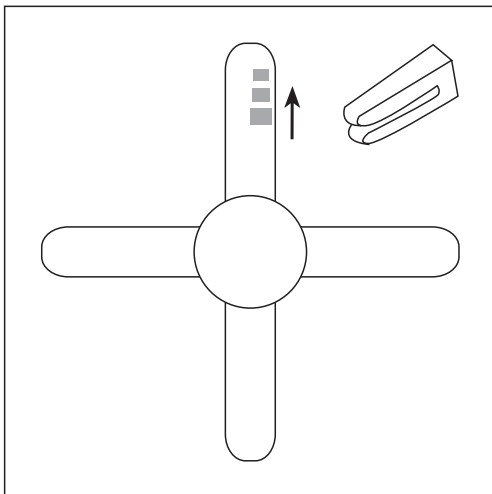
Connect the supply ground wire to green ground wire from canopy and the green ground wire from the hanger bracket together using a wire nut.

Tuck all wire nuts and wires carefully up into the Outlet Box, EXCEPT antenna, which should remain outside Outlet Box

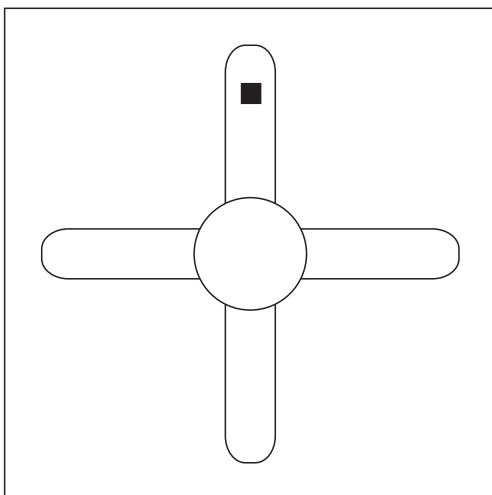
Fans Balance



Put the clip in the center of a blade. Turn on the fan and, if the rolling persists, put the clip in another blade until the roll is reduced. It will be the blade that will need the counterweight.



Place the clip on the blade that needs the counterweight and try the best place to place it, from the center to the tip of the blade, until the wobble disappears.



Glue the counterweight to the height of the clip on the surface of the blade. Remove the clip and test the fan. If you keep staggering, put another counterweight. If it gets worse, try another better area to place it.

Care and Cleaning



WARNING: Make sure the power is off before cleaning your fan.

- Because of the fan's natural movement, some connections may become loose. Check the support connections, brackets, and blade attachments twice a year. Make sure they are secure. It is not necessary to remove the fan from the ceiling.
- Clean your fan periodically to help maintain its new appearance over the years. Do not use water when cleaning, as this could damage the motor or the wood, or possibly cause an electrical shock. Use only a soft brush or lint-free cloth to avoid scratching the finish. The plating is sealed with a lacquer to minimize discoloration or tarnishing.
- You can apply a light coat of furniture polish to the wood for additional protection and enhanced beauty. Cover small scratches with a light application of shoe polish.
- You do not need to oil your fan. The motor has permanently-lubricated sealed ball bearings.

Troubleshooting

Problem	Solution
The fan will not start.	<ul style="list-style-type: none"> <input type="checkbox"/> Check the main and branch circuit fuses or breakers. <input type="checkbox"/> Check the line wire connections to the fan and switch wire connections in the switch housing.
The fan will not start.	<ul style="list-style-type: none"> <input type="checkbox"/> Ensure all motor housing screws are snug. <input type="checkbox"/> Ensure the screws that attach the fan blade bracket to the motor hub are tight. <input type="checkbox"/> Ensure the wire nut connections are not rattling against each other or the interior wall of the switch housing. <input type="checkbox"/> Allow a 24-hour "breaking in" period. Most noises associated with a new fan disappear during this time. <input type="checkbox"/> If you are using the Ceiling Fan light kit, ensure the screws securing the glassware are tight. Check that the light bulbs are also secure. <input type="checkbox"/> Ensure the canopy is a short distance from the ceiling. It should not touch the ceiling. <input type="checkbox"/> Ensure your outlet box is secure and rubber isolator pads were used between the mounting plate and outlet box.
The fan wobbles.	<ul style="list-style-type: none"> <input type="checkbox"/> Check that all blade and blade arm screws are secure. <input type="checkbox"/> Most fan wobble problems are caused when blade levels are unequal. Check this level by selecting a point on the ceiling above the tip of one of the blades. Measure from a point on the center of each blade to the point on the ceiling. Measure this distance. Rotate the fan until the next blade is positioned for measurement. Repeat for each blade. Any measurement deviation should be within 1/8 in. Run the fan for ten minutes. If the fan continues to wobble please contact Customer Service and a balancing kit will be sent to you a

SAVETI ZA BEZBEDNOST

PROČITAJTE I SAČUVAJTE OVO UPUTSTVO

UPOZORENJE: ZA SMANJENJE RIZIKA OD POŽARA, STRUJNOG UDARA ILI POVREDE LICA, OBRATITE PAŽNJU NA SLEDEĆE

- Nastavite sa oprezom: Pročitajte pažljivo ovo uputstvo i sledite ga. **2. UPOZORENJE!** Ovaj ventilator može da radi samo sa dvopolnim prekidačem i razmakom kontakata od 3mm. **3.** Samo ovlašćeni električar može da izvrši instalaciju.
- Visina na kojoj se montira, odnosno rastojanje između luster a poda, treba da bude najmanje 2.3m **5.** Uverite se da ne postoje prepreke u zoni rotacije. **6.** Uverite se da je ventilator čvrsto pričvršćen na plafonu.
- UPOZORENJE!** Nemojte koristiti dimer za kontrolu brzine ventilatora. **8. UPOZORENJE!** Da biste sprečili povrede, uverite se da noževi nisu savijeni i da ne postoje nikakvi objekti u zoni rotacije. **9.** Držite električne aparate van domašaja dece ili nemoćnih lica. Ne dozvolite da koriste uređaj bez nadzora. **10.** Pogodan za upotrebu u zatvorenom prostoru. **11.** Pre demontaže ventilatora, proverite da li je glavno napajanje strujom isključeno. Napajanje se može uključiti tek posle de demontaža završi. **12.** Ne skidajte abažur sa lampe, ukoliko je uključena u struju. **13.** Zamenite sijalice je moguća samo kada se lampa sasvim ohladi, a prekidač ugašen. **14.** Uverite se da je senilo dobro pričvršćeno pre upotrebe. **15.** Uvek držite distancu između lampe i zapaljivih materija (npr. zavesa). **16.** IP20 Ventilator je namenjen za unutrašnju upotrebu. Nije namenjen za ugradnju u kupatilu ili bilo kojoj drugoj vlažnoj prostoriji. Molimo Vas da proverite da lampa ne dodje u kontakt sa vodom. **17.** Ovaj uređaj može da se koristi za decu uzrasta od 8 godina i više kao i za osobe sa smanjenim fizičkim, senzornim i mentalnim sposobnostima ili nedostatkom iskustva i/ili znanja, ako su pod nadzorom ili na osnovu instrukcija za bezbedno korišćenje uređaja i razumeju nastale rizike. Deca ne treba da se igraju sa aparatom. Čišćenje i održavanje korisnik ne radi ako su deca bez nadzora. Deca moraju da budu pod nadzorom kako bi se osiguralo da se ne igraju sa aparatom. **18.** Deca moraju da budu pod nadzorom da se ne bi igrala sa aparatom.

OPIS SIMBOLA

Molimo Vas pročitajte važne simbole sa ove lampe na etiketi proizvoda, kao i na pakovanju lampe.

Zaštitna klasa I Ovaj ventilator mora biti povezan sa zaštitnim provodnikom (zeleno-zuta zica) na uzemljenju.

Zaštitna klasa II Ovaj ventilator je dvostruko izolovan i ne mora biti povezan sa uzemljenjem.

AC – naizmjenična struja napona

Hz Frekvencija (Herz)

V Napon u voltima

W Snaga u vatima

Minimalno rastojanje lampe od drugih svetlećih objekata u metrima. Molimo Vas da nadžete odgovarajuću razdaljinu vodeći se preporukom sa nalepnice.

Ne koristite lampu bez stakla i ako je slomljeno mora biti zamenjeno!

Svetiljka dizajnirana samo za upotrebu sa volfran-halogenim sijalicama

Samo za unutrašnju upotrebu

IP Stepen zaštite od spoljnih uticaja. Pronadjite odgovarajući stepen zaštite koji je prikazan na etiketi.

Svetlosnu jedinicu sme da zameni samo proizvođač, njihov serviser ili kompetentno ovlašćeno lice.

Pažnja, opasnost od električnog udara

UKOVANJE

Uključite napajanje i proverite rad ventilatora. Brzina podešavanja zavisi od nekih faktora, kao što su veličina sobe, visina plafona, broja ventilatora i tako daje. Slajd prekidač kontroliše pravac, napred ili nazad.

Za ventilatore sa daljinskim upravljačem pogledajte uputstvo.

Toplo vreme / down position – (napred) Ventilator se okreće u smeru suprotnom od kazaljke sata. Protok vazduha stvara efekat hlađenja.

Ovo vam omogućava da podesite klima uređaj na visoj temperaturi koja neće uticati na osećaj udobnosti. Hladno vreme- (reverz) gornji položaj. Strujanje vazduha iznad ventilatora odvodi topao vazduh sa plafona. Ovo vam omogućava da podesite svoj uređaj za grejanje na nižem nivou, i to neće uticati na osećaj udobnosti. (U svakom slučaju pogledajte tačku broj 10 "saveti za bezbednost prilikom rada na ovoj poziciji".)

NAPOMENA: Isključite i sačekajte da se ventilator zaustavi pre promene režima rada napred/nazad.

ODRŽAVANJE

- Zbog prirodnog kretanja ventilatora, neke veze mogu oslabiniti. Proverite veze, priključenje i sečivo bar dva puta godišnje. Uverite se da je sve bezbedno.
- Očistite svoj ventilator s vremena na vreme, kako bi zadržao svoj izgled tokom godina. Nemojte koristiti vodu prilikom čišćenja. Ovo bi moglo oštetiti drvo, motor ili možda izazvati strujni udar.
- Koristite samo meku četkicu ili krpu da bi se izbeglo oštećenje lampe. Oplata je presvučena slojem laka kako si se sprečilo izbledjivanje i oštećenje površine.
- Nema potrebe da dolivate ulje u motor svog ventilatora. Motor i ležajevi su trajno podmazani.

VODIČ ZA REŠAVANJE PROBLEMA

Ako imate poteškoća u radu svog novog ventilatora, to može biti zbog nepravilne montaže, instalacije ili spajanja žica. U nekim slučajevima, otkvke greške mogu napraviti zablude ili nedostatke.

Ukoliko imate bilo kakvih problem, molimo Vas da se konsultujete sa ovlašćenim električarom i ne pokušavajte da bilo kakav električni kvar popravljate sami.

	KBS5227-9	KBS5227-3	KBS5604	KBS5225	KBS 5236	KBS 5236	KBS 5226
Napon	230V/50Hz	230V/50Hz	230V/50Hz	230V/50Hz	230V/50Hz	230V/50Hz	230V/50Hz
Vrsta izolacije	IP20	IP20	IP20	IP20	IP20	IP20	IP20
Maximum fan flow rate (F)	5320	5320	6194	3240	6150	5370	5260
Fan power input (P)	28	28	28	65.8	66	58	59
Service value (SV)	*	*	*	*	*	*	*
Measurement standard for service value	0	0	0	0	0	0	0
Standby power consumption (PSS)	>20db	>20db	35-40db	45-55db	45-55db	45-55db	45-55db
Fan sound power level (LWA)	200	200	163	129	183	182	191
Maximum air velocity (c)							

	KBS 5209	KBS 5247	KBS 4401	KBS 4262	KBS 5222	KBS 4836	KBS 4817
Napon	230V/50Hz	230V/50Hz	230V/50Hz	230V/50Hz	230V/50Hz	230V/50Hz	230V/50Hz
Vrsta izolacije	IP20	IP20	IP20	IP20	IP20	IP20	IP20
Maximum fan flow rate (F)	5320	5380	5170	3668	4795	5240	3770
Fan power input (P)	55	59	62	57	61	64	64
Service value (SV)	*	*	*	*	*	*	*
Measurement standard for service value	0	0	0	0	0	0	0
Standby power consumption (PSS)	45-55db	45-55db	45-55db	45-55db	45-55db	45-55db	45-55db
Fan sound power level (LWA)	187	193	194	175	186	203	178
Maximum air velocity (c)							

GARANCIJA:

Proizvođač garantuje dobar kvalitet i ispravnost uređaja na **Garantni rok 24 (dvadesetčetiri) meseca**

koje se daje garancija od 24 meseca od dana prodaje. Ne-

ispravnosti koje bi eventualno nastale greškom proizvođača

se popravljaju u garantnom roku – besplatno – najkasnije

za 21 dan od prijema u servis. Prijave kvarova primaju se u

servisnim centrima, a u slučajevima gde nemaservisnih

centara prijave se primaju preko punktova prodaje ili pro-

izvodnje. Pojam popravke ne obuhvata funkcije

predviđene uputstvom za upotrebu.

Dan prodaje

Garantni rok važi do

Prodaj:

M.P.

XENON
LIGHTS & ACCESSORIES

Xenon-Light d.o.o.

Šavnička 51/18, Beograd, Srbija

www.xenonlight.rs / office@xenonlight.rs

