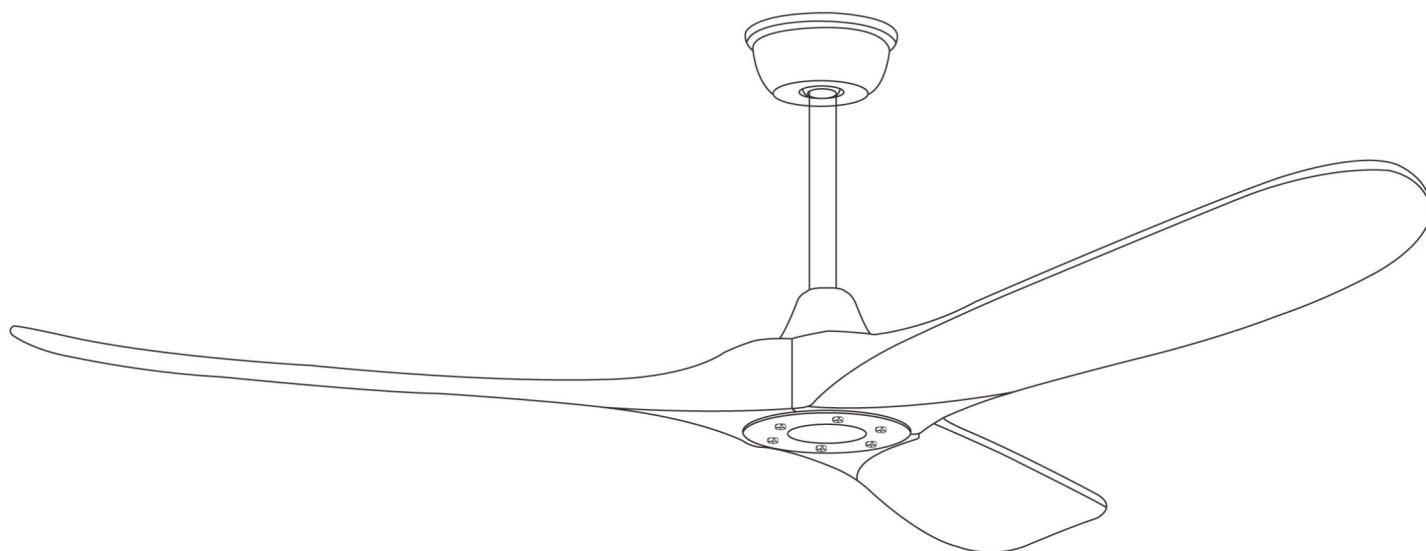


XENON LIGHT

LIGHTS & ACCESSORIES



MODEL KBS-5218

CEILING FAN

INSTRUCTION MANUAL

Xenon-Light d.o.o.
Šavnička 51/18, Beograd, Srbija
www.xenonlight.rs / office@xenonlight.rs
Tel/Fax +381 11 2755371; 2086129

SAFTY RULES

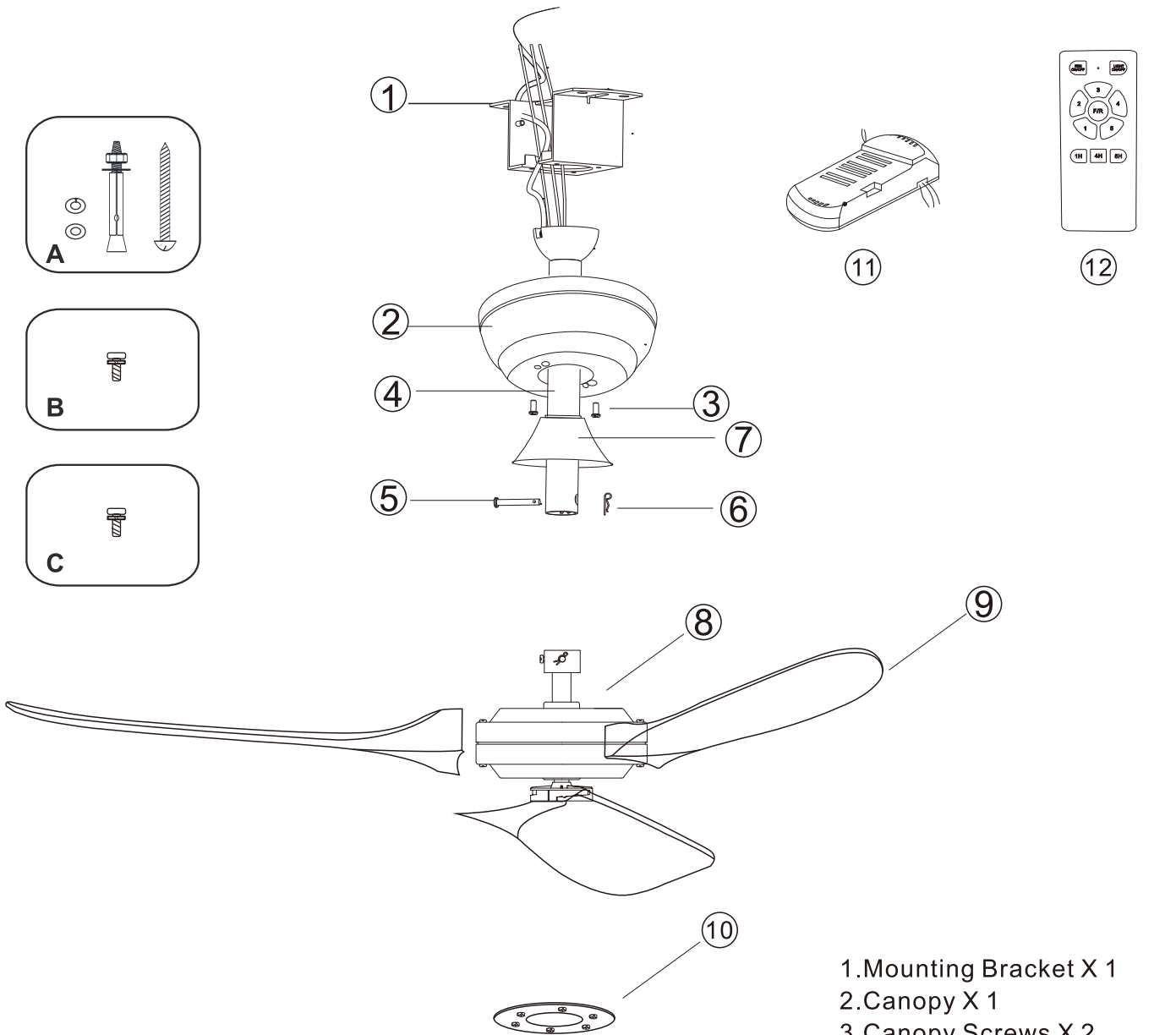
1. To reduce the risk of electric shock, turn off the electricity to the fan at the main fuse box or circuit panel before beginning.
2. All wiring must be in accordance with the local electrical codes or National Electrical Code. Electrical installation should be performed by a qualified licensed electrician.
3. To avoid personal injury, the use of gloves may be necessary while handling fan parts with sharp edges.
4. Make sure the installation site you choose allows clear space for the blades to rotate and at least seven 7 feet (2.13 meters) of clearance between the floor and the fan blade tips. The fan should be mounted so that the tips of the blades are at least thirty 18 inches (45.72 centimeters) from walls or other upright structures.
5. **WARNING:** To reduce the risk of fire, electric shock, or personal injury, mount fan only to an outlet box marked acceptable for fan support and use mounting screws provided with the outlet box. Most outlet boxes commonly used for the support of lighting fixtures are not acceptable for fan support and may need to be replaced. Consult a qualified electrician if in doubt.
6. The outlet box and ceiling support structure must be securely mounted and capable of supporting at least 45 KGs.
7. To avoid personal injury or damage to the fan and other items, be cautious when working around or cleaning the fan.
8. Do not use water or detergents when cleaning the fan or fan blades. A dry dust cloth or lightly dampened cloth will be suitable for most cleaning.
9. After making electrical connections, spliced conductors should be turned upward and pushed carefully up into the outlet box. The wires should be spread apart with the grounded conductor and the equipment-grounding conductor on one side of the outlet box.
10. Electrical diagrams are for reference only.
11. The fan is suitable for indoor use only.

TOOLS REQUIRED



BEFORE INSTALLATION

Unpack your fan and check the contents. You should have followings:



- 1. Mounting Bracket X 1
- 2. Canopy X 1
- 3. Canopy Screws X 2
- 4. Downrod & hanger ball X 1
- 5. Bolt X 1
- 6. Bolt X 1
- 7. Pin Cover X 1
- 8. Top Housing X 1
- 9. Blades X 4
- 10. Base Plate X 1
- 11. Remote Receiver X 1
- 12. Remote Control X 1

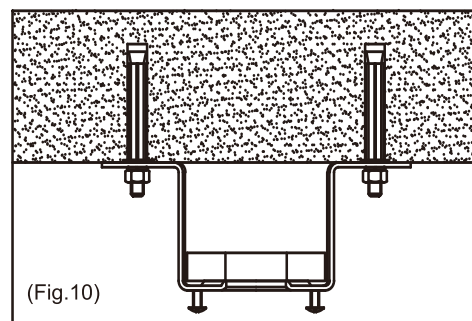
INSTALL THE FAN

Tools Required: Phillips Screwdriver, Pair of Pliers, Straight slot screwdriver, Adjustable Wrench, Step Ladder and Wire Cutters.

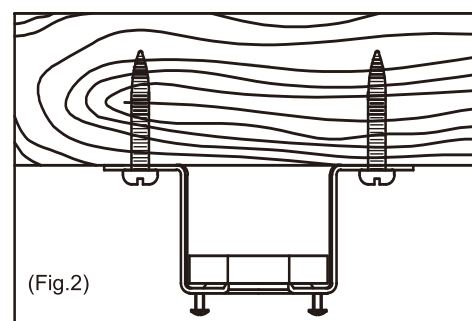
INSTALL THE MOUNTING BRACKET

To prevent personal injury and damage, ensure that the hanging location allows the blade a clearance of 7 feet (2.13 meters) from the floor and 18 inches (45.72 centimeters) from any wall or obstruction.

1. For the concrete ceiling: Mark the location for the ceiling fan first, then drill two holes in the ceiling to aid in securing ceiling bracket with two expansion screws provided, and secure the mounting bracket to the building structure with two expansion screws provided, tighten the screws. (Fig.1)

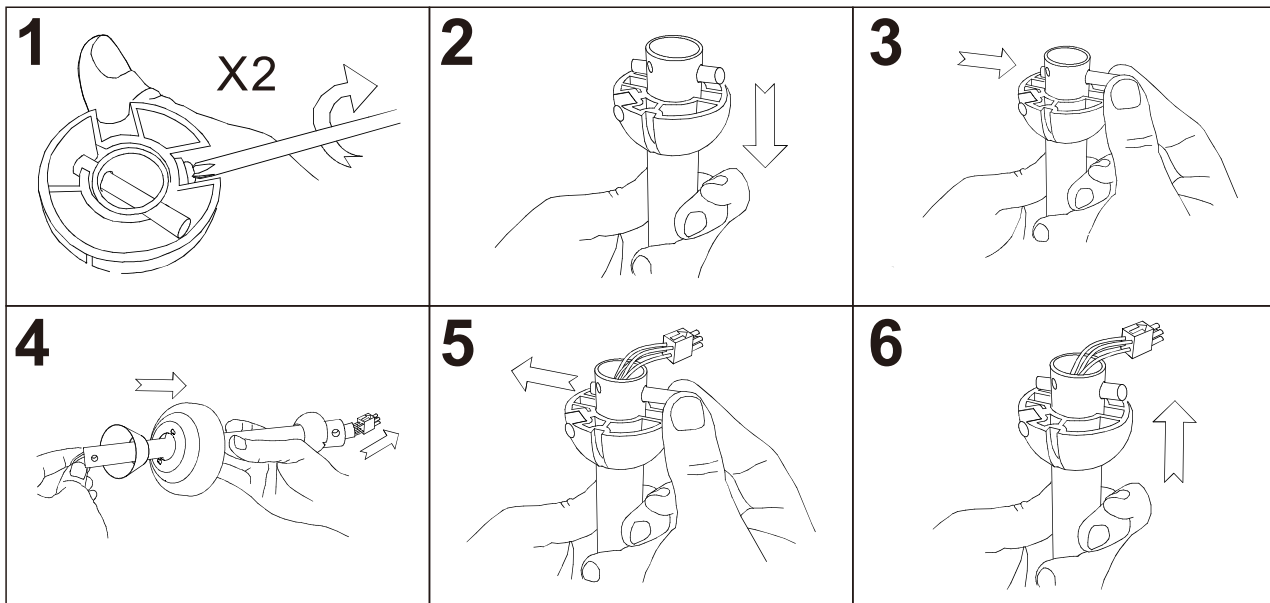


2. For the Wood Ceiling: Mark the location for the ceiling fan first, secure the mounting bracket to the building structure with four wood screws provided. (Fig.2)



NOTE: Hanger after the installation must be able to withstand the weight of 45 kgs or more

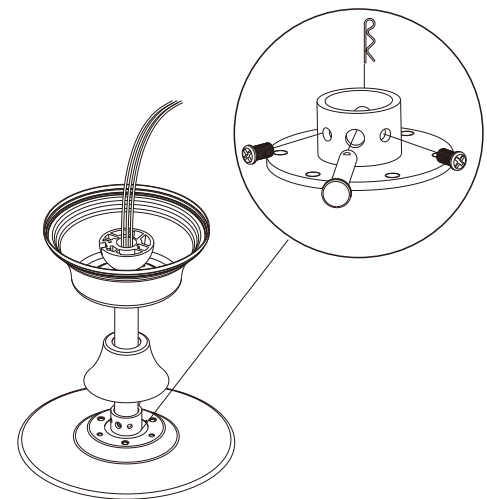
INSTALL THE DOWNROD



INSTALL THE DOWNROD

REMEMBER to turn off the power. Follow the steps below to hang your fan properly:

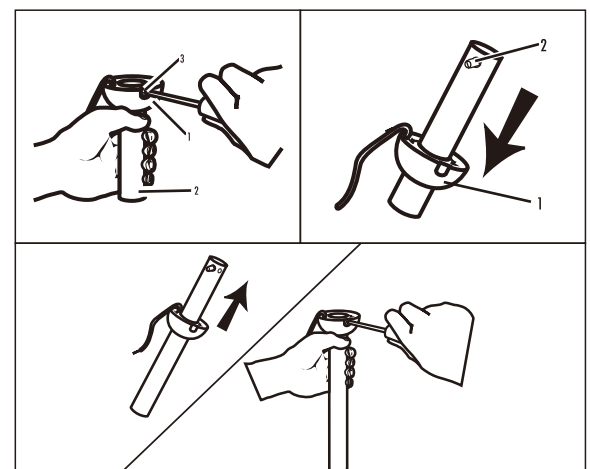
1. Remove the lock pin and hitch pin from downrod
2. Place downrod assembly into canopy and coupling cover, Carefully feed motor wires through the downrod assembly
3. Loosen the two set screws in downrod coupling
4. Insert downrod into downrod coupling. Install coupling lock pin through coupling and downrod. Insert hitch pin into cross pin until it snaps into place. Tighten set screws in coupling. Slide coupling cover over the downrod coupling.



CHANGE DOWNROD (OPT)

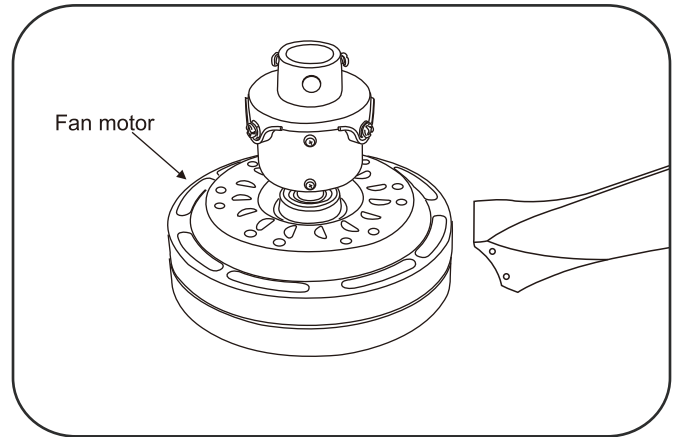
The Ceiling Fan comes with one 5 inches standard downrod which is preassembled and attached to the hanger ball, one longer 10 inches downrod is also included for higher ceilings. If you need a different downrod length, please follow these steps:

1. Loosen the hanger ball from downrod by removing set screw.
2. Slide downrod ball off of downrod and remove pin
3. Re-install pin into extended downrod, and slide downrod ball up to the top of the downrod
4. Re-install set screw to secure ball to downrod

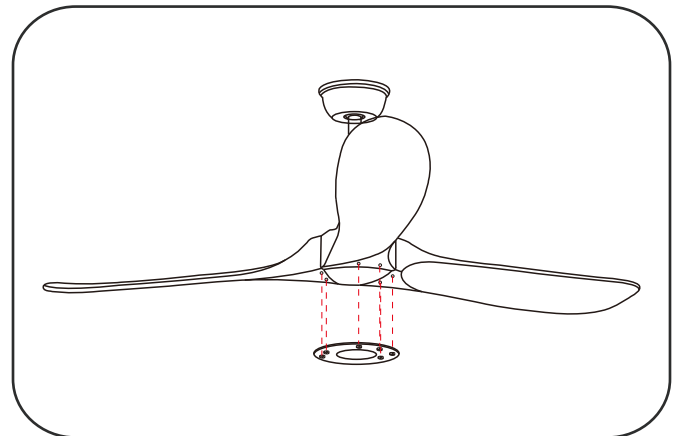


INSTALL THE BLADE

1. Align the 2 holes from the blade to the fan motor.
Secure blade with 3 blade screws with locked washer provided. Follow the same process for the remaining two blades.
All blade sets are grouped together by weight.



1. Tighten the screw in the specified position

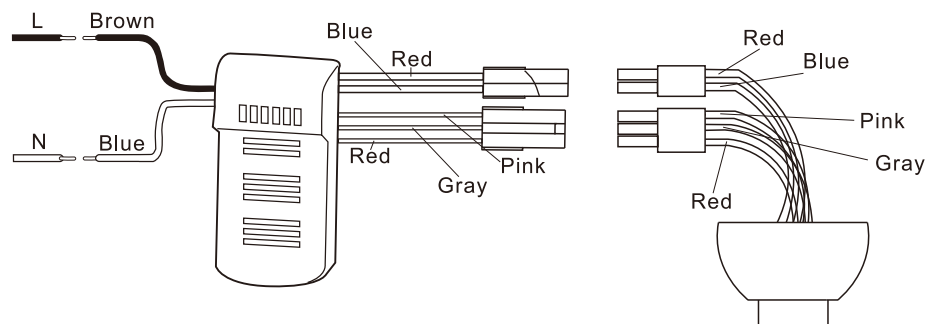


MAKE THE ELECTRIC CONNECTIONS

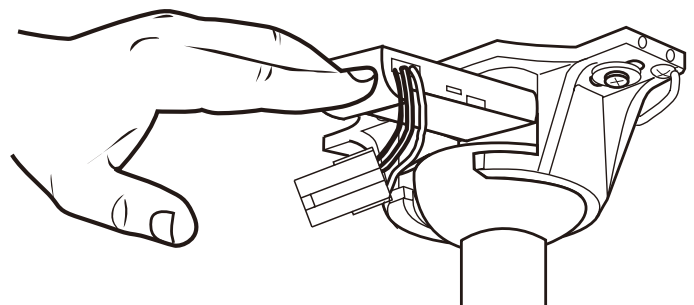
Make wiring connections from the house and the motor to the remote receiver as shown right.

From House

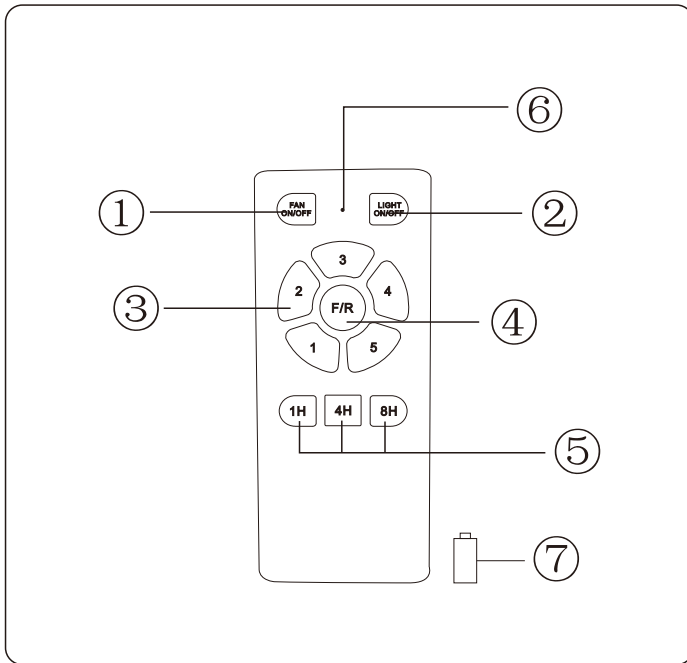
From Fan



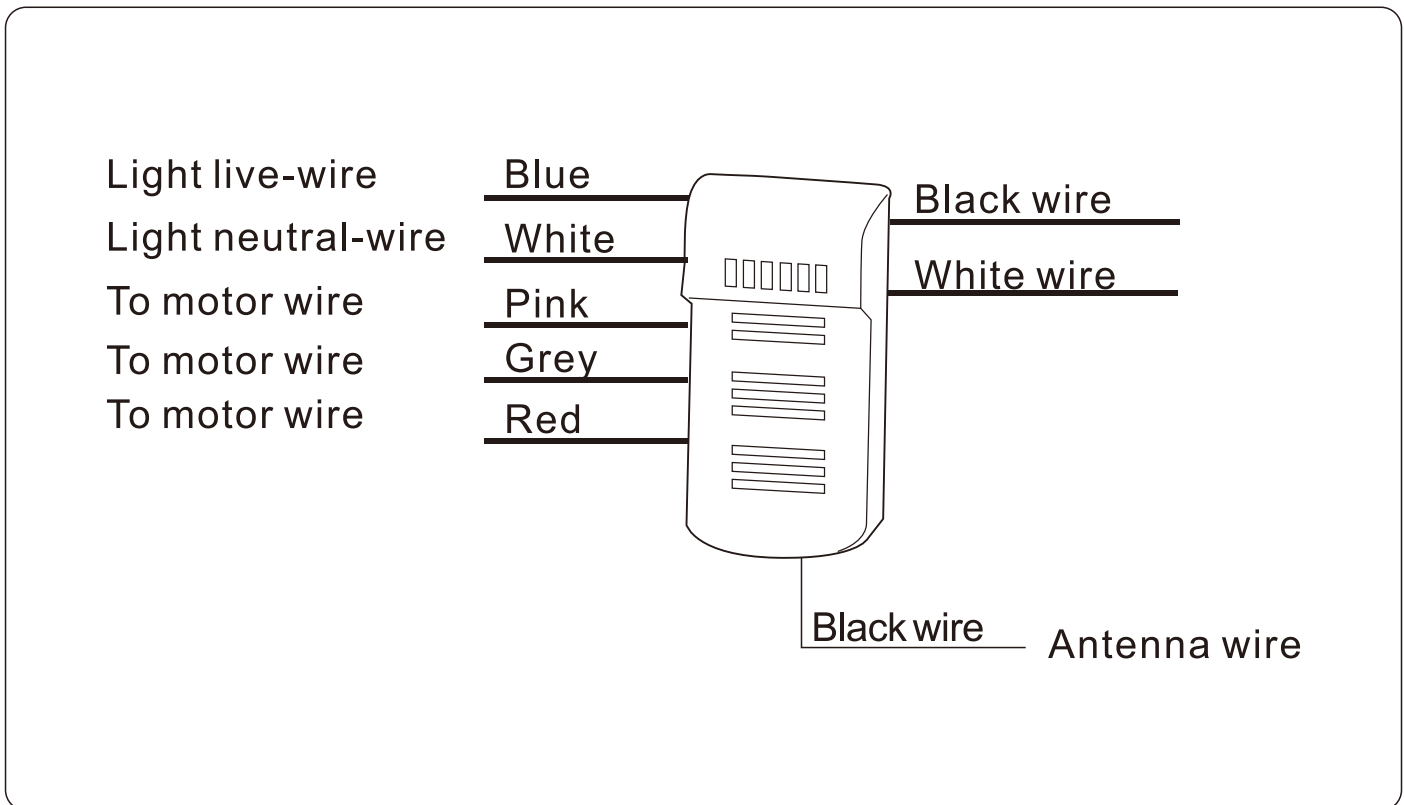
Once wiring step has been completed, slide the wired remote receiver in between the mounting bracket and the top of the downrod ball for downrod fans.



Use of remote control

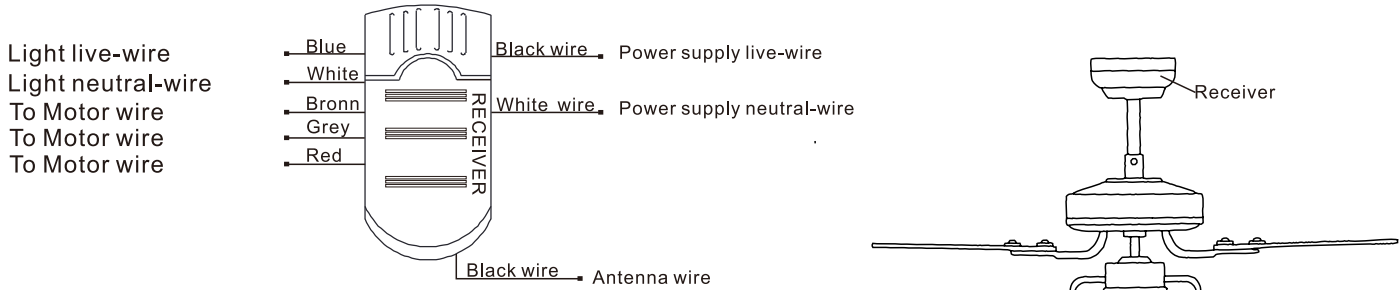


- ① ON/OFF THE FAN
- ② ON/OFF THE LIGHT
- ③ Speed of the fan
(① low speed----⑤ high speed)
- ④ Direction of the fan
(reverse switch)
- ⑤ Timing control of the fan
- ⑥ LED indicated light
- ⑦ 12V battery should be used in emitter



Voltage:
DC85V-265V (50Hz-60Hz)

WIRING SCHEMATIC DIAGRAM FOR RECEIVER



POWER PARAMETER LIST

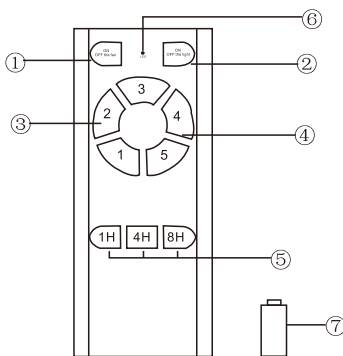
Voltage	Fan	Lamp
110-240V	40W	200W

Adopt RF wireless digit emission technique. biunique controlled , coincident code rate is less than one millionth.(Emitter and receiver must be sent back to factory for maintenance if damaged.)

Receiver can be controlled by any angles of the emitter in prescriptive space,unrestricted by direction.

With the memory function,the controller can save the status(light and direction)While the supply power OFF and resume to the original after reload the power supply.

FUNCTION INSTRUCTION OF EMITTER



- ①ON/OFF the fan
- ②ON/OFF the light
- ③Speed of the fan (①low speed---⑤high speed)
- ④Direction of the fan (reverse switch)
- ⑤Timing control of the fan
- ⑥ LED indicated light
- ⑦ 12V battery should be used in emitter

KINDLY REMINDERS:

1. Learning code matching mode is used between emitter and receiver. Turn "ON" the supply power within 30 seconds and press the emitter's "FAN ON/OFF" button for 5 seconds, it can load normally after hearing a long sound "bee", which means learning successfully and it can work normally. (PS: Learning mode is not accepted after turn "ON" the supply power for 30 seconds)
2. When the emitter cannot control the receiver, please check the battery switch touching normally or not, correction of the positive and negative, full or empty of the power.
3. When the emitter cannot control the receiver, please check if there is any existence of similar remote controlled products nearby, then check whether they work, because remote controlled products with the same frequency will disturb each other.
4. Low voltage of battery will affect the sensitivity of the emitter and the signal reception accordingly (the indicated light will flash out its warning when the battery gets low voltage), must replace if the battery is getting low voltage.
5. Please take out the battery from the emitter when leaving unused for long time.
6. Supporting 200W lighting power at maximum.
PS: please connect the ground wire correctly, otherwise it may cause the light micro-light or flash
7. When installing the fan, the fan ceiling cover don't press the antenna (or other wire), it is easy to breakdown the wire and short-circuited.