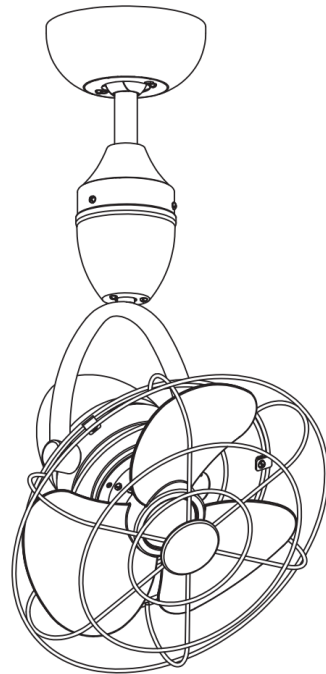


# **XENON** LIGHT

LIGHTS & ACCESSORIES



MODEL KBS 5283

CEILING FAN

INSTRUCTION MANUAL

Xenon-Light d.o.o.  
Šavnička 51/18, Beograd, Srbija  
[www.xenonlight.rs](http://www.xenonlight.rs) / [office@xenonlight.rs](mailto:office@xenonlight.rs)  
Tel/Fax +381 11 2755371; 2086129

# Safety Information

- 1、 To reduce the risk of electrical shock the electricity has been turned off at the circuit breaker or fuse box before begin.
- 2、 The outlet box and support structure must be securely mounted and capable of reliably supporting 35lb.(15.9kg).Use only UL listed outlet boxes marked "Acceptable for Fan Support of 35lbs(15.9kg)or less."
- 3、 The fan must be mounted with a minimum of 7 ft. (2.3m) clearance from the trailing edge of the blades to the floor.
- 4、 Do not operate the reversing switch while the fan blades are in motion. You must turn the fan off and stop the blades before you reverse the blade direction.
- 5、 Do not place objects in the path of the blades.
- 6、 To avoid personal injury or damage to the fan and other items use caution when working around or cleaning the fan.
- 7、 Electrical diagrams are for reference only. Light kits that are not packed with the fan must be UL-listed and marked suitable for use with the model fan you are installing. Switches must be UL General Use Switches. Refer to the instructions packaged with the light kits and switches for proper assembly.
- 8、 After making electrical connections , spliced conductors should be turned upward and pushed carefully up into the outlet box.The wires should be spread apart with the grounded conductor and the equipment-grounding conductor on one side of the outlet box.
- 9、 All setscrews must be checked and retightened where necessary before installation.



**WARNING:**TO reduce the risk of personal injury, do not bend the blade brackets (also referred to as flanges) during assembly or after installation.Do not insert objects in the path of the blades .



**WARNING:** To reduce the risk of fire or electric shock,do not use this fan with any solid-state speed control device.



**WARNING:**To avoid possible electrical shock, turn the electricity off at the main fuse box before wiring.It you feel you do not have enough electrical wiring knowledge or experience, contact a licensed electrician.



**WARNING:** Electrical diagrams are for reference only. Optional use of any light kit shall be UL-listed and marked suitable for use with this fan.



**WARNING:** To reduce the risk of fire, electric shock, or personal injury. mount to outlet box marked "Acceptable for fan support of 35 lbs.(15.9 kg)or less." and use the screws provided with the outlet box.

# Warranty

The supplier warrants the fan motor to be free from defects in workmanship and material present at time of shipment from the factory for a lifetime after the date of purchase by the original purchaser. The supplier also warrants that all other fan parts, excluding any glass or acrylic blades, to be free from defects in workmanship and material at the time.

of shipment from the factory for a period of two years after the date of purchase by the original purchaser. We agree to correct such defects without charge or at our option replace with a comparable or superior model if the product is returned.

To obtain warranty service, you must present a copy of the receipt as proof of purchase. All costs of removing and re-installing the product are your responsibility. Damage to any part such as by accident, misuse, improper installation, or by affixing any accessories, is not covered by this warranty.

Because of varying climatic conditions this warranty does not cover any changes in brass finish, including rusting, pitting, corroding, tarnishing, or peeling. Brass finishes of this type give their longest useful life when protected from varying weather conditions. A certain amount of "wobble" is normal and should not be considered a defect.

Servicing performed by unauthorized persons shall render the warranty invalid. There is no other express warranty. Hereby disclaims any and all warranties, including but not limited to those of merchant ability and fitness for a particular purpose to the extent permitted by law. The duration of any implied warranty which cannot be disclaimed is limited to the time period as specified in the express warranty. Some states do not allow a limitation on how long an implied warranty lasts, so the above limitation may not apply to you.

The retailer shall not be liable for incidental, consequential, or special damages arising out of or in connection with product use or performance except as may otherwise be accorded by law. Some states do not allow the exclusion of incidental or consequential damages, so the above exclusion or limitation may not apply to you. This warranty gives specific legal rights, and you may also have other rights which vary from state to state. This warranty supersedes all prior warranties. Shipping costs for any return of product as part of a claim on the warranty must be paid by the customer.

## Pre-installation

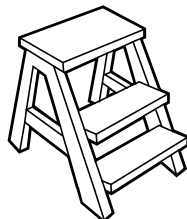
### TOOLS REQUIRED



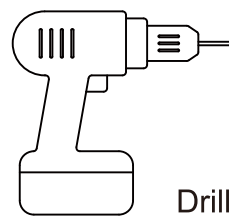
Phillips  
screwdriver



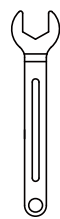
Flat blade  
screwdriver



Step  
ladder

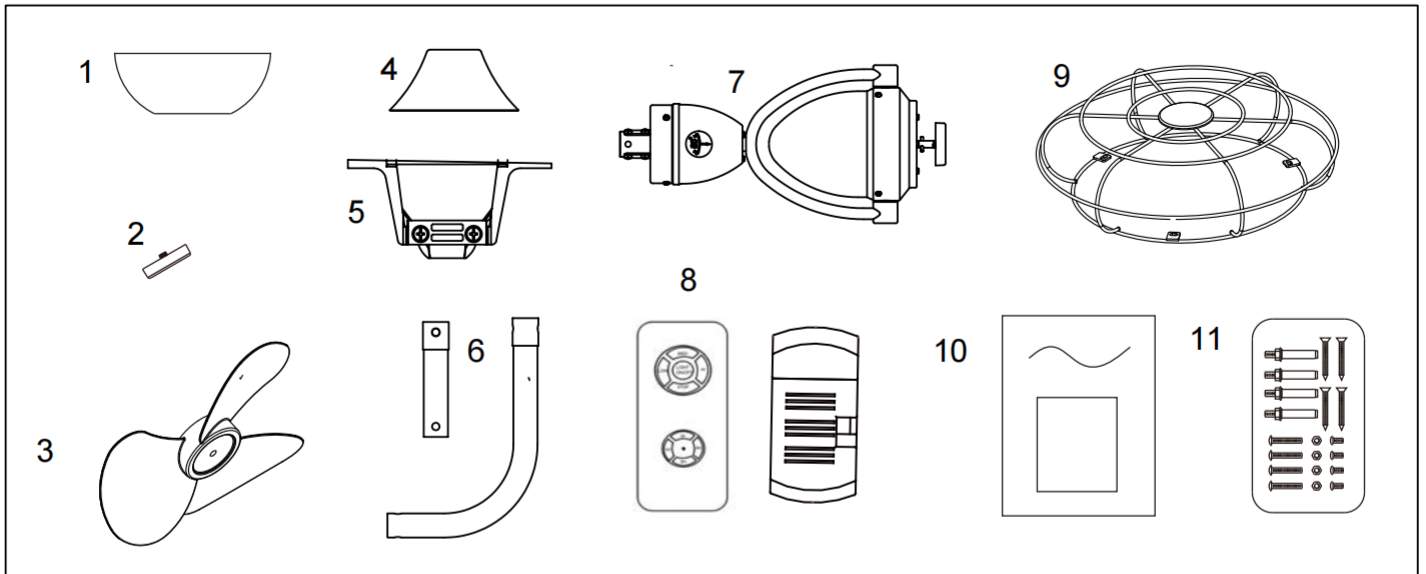


Drill



Wrench

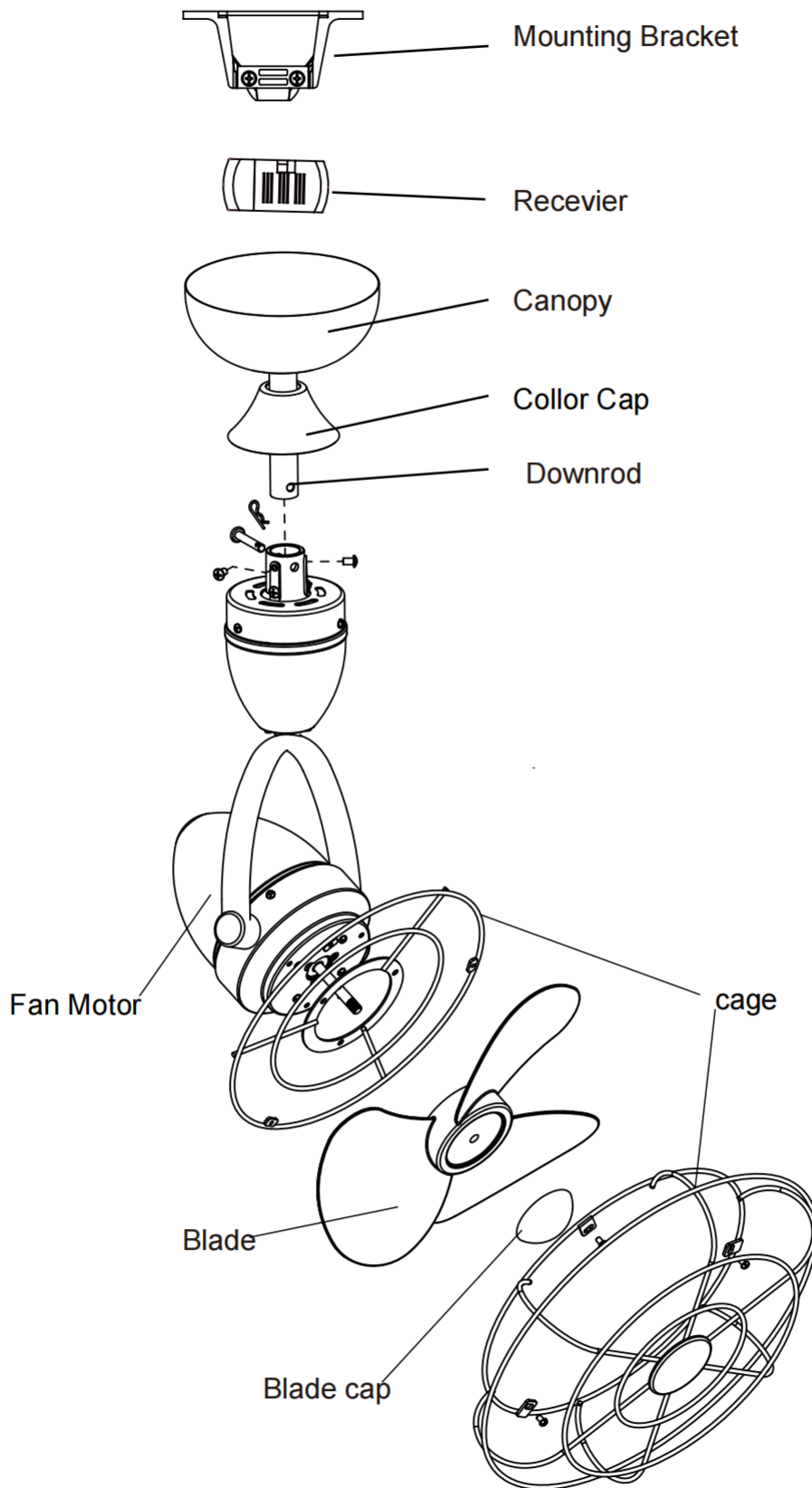
## Package Contents:



Unpack your fan and check the contents. You should have the following items.

- 1.) Canopy x1
- 2.) Blade Cap x1
- 3.) Fan Blade x1
- 4.) Collor Cap x1
- 5.) Mounting Bracket x1
- 6.) Downrod x2
- 7.) Fan Motor x1
- 8.) Remote control x1
- 9.) Cage x1
- 10.) Installation Instructions x1
- 11.) Assembly Kit x1

# Exploded View Detail



## Installation Steps :

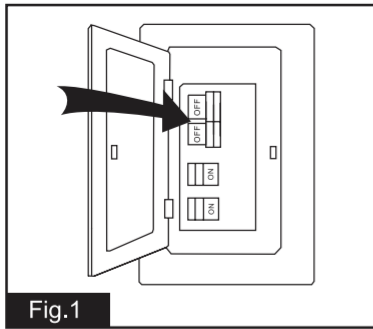
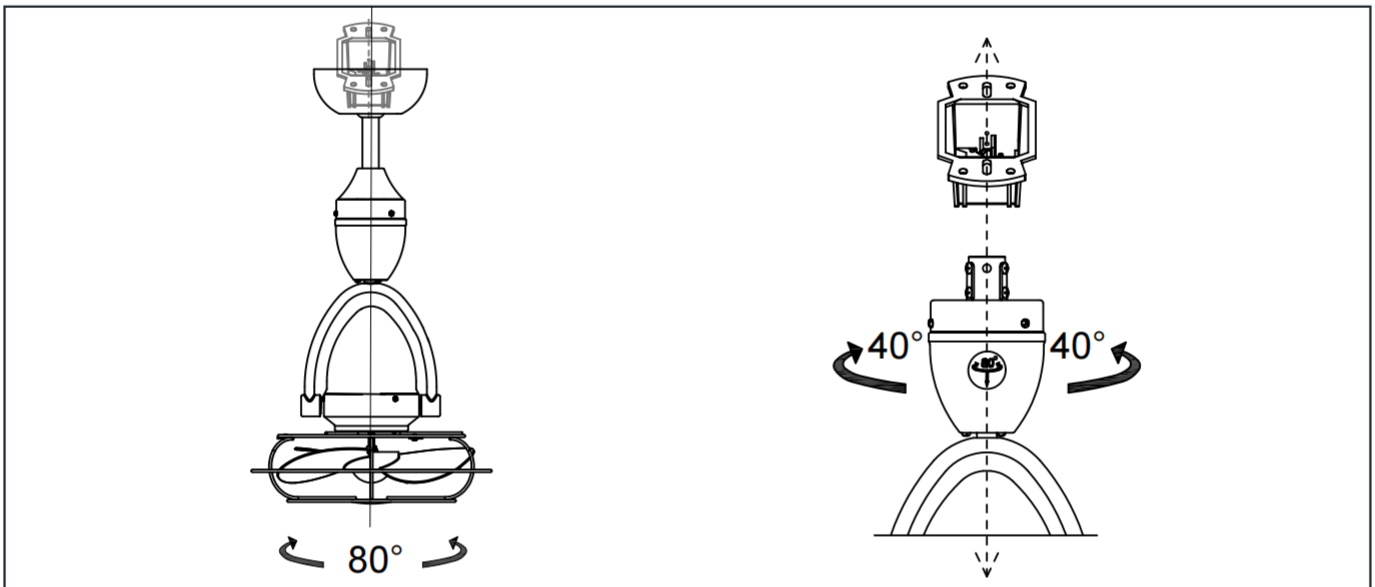
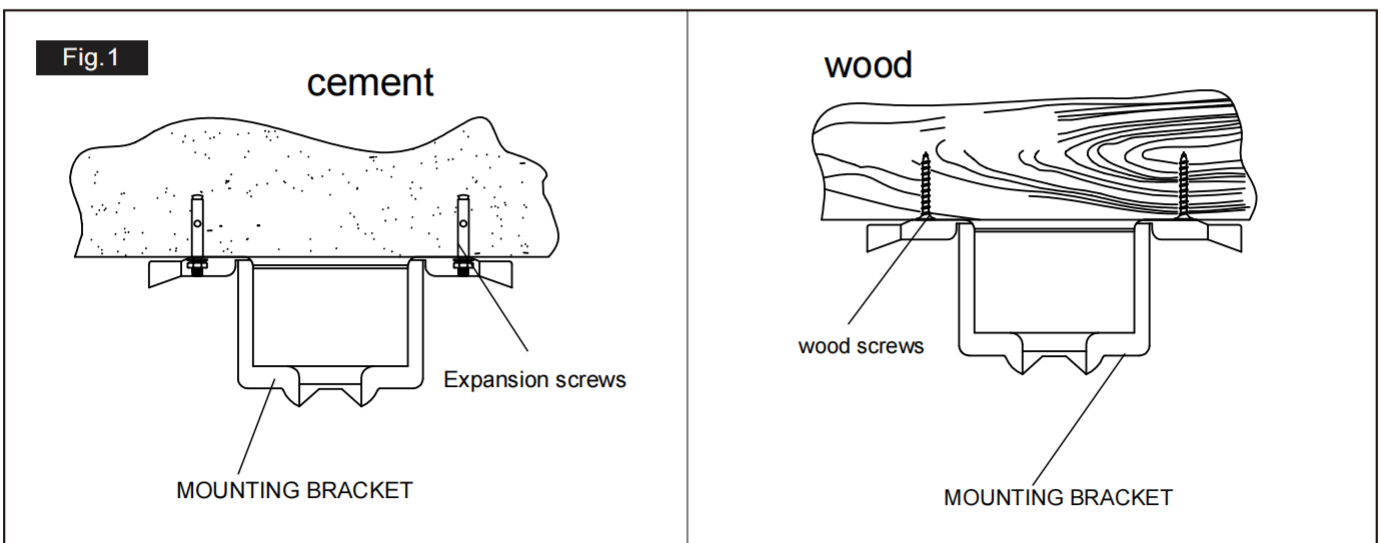


Fig.1

Turn OFF the electric circuit at the main fuse or circuit breaker box.



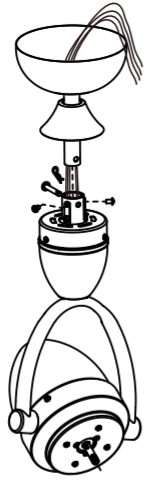
The left and right swing angle of the ceiling fan is about 80°. To ensure that the left and right swing angles are symmetrical after installation, please install the ceiling fan according to the installation direction of the hanger and the swing mark of the host machine in the figure.



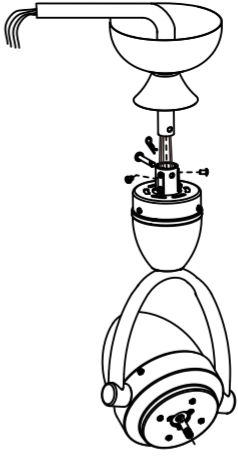
To use expansion screws to fix bracket for concrete ceiling before that will need to drill dia.8mm expansion bolts.

To use wood screws to fix bracket for wooden or false ceiling.

**Fig.3**



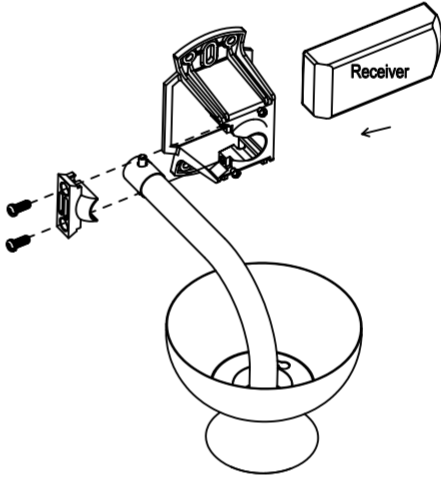
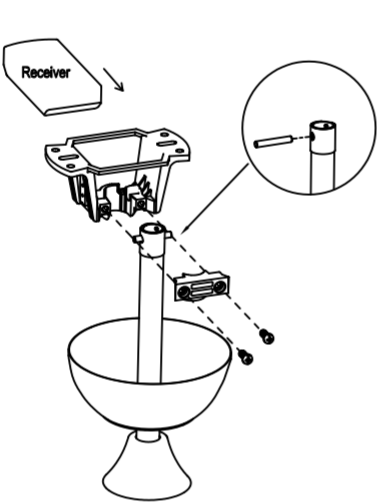
Ceiling installation mode



Wall installation mode

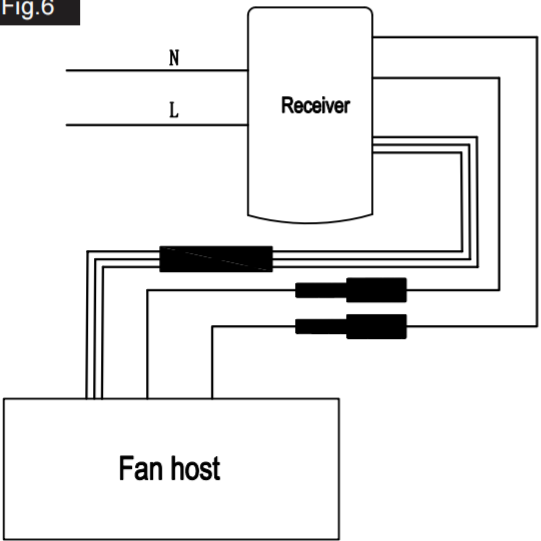
Install it on the roof or wall as required, and select the corresponding downrod for installation as shown in the figure.

**Fig.5**

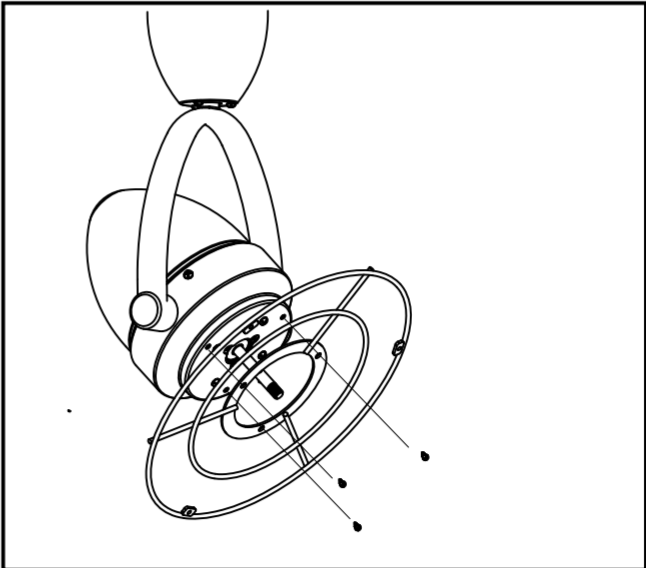


Install it on the roof or wall as required, and select the corresponding Mounting Bracket for installation as shown in the figure.

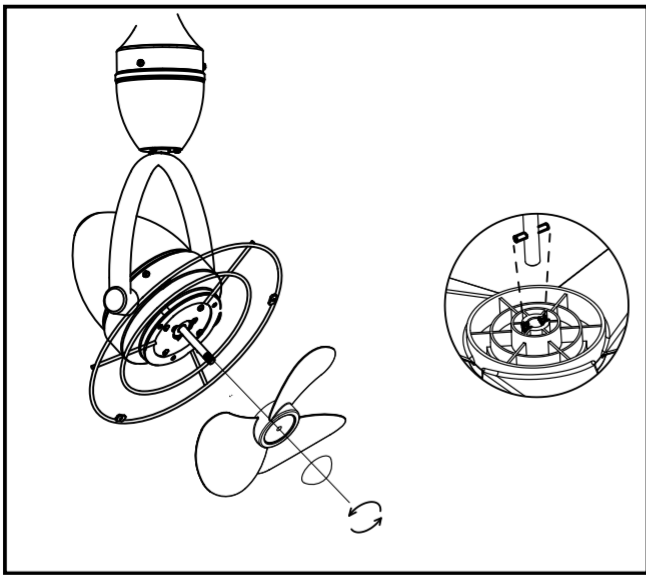
**Fig.6**



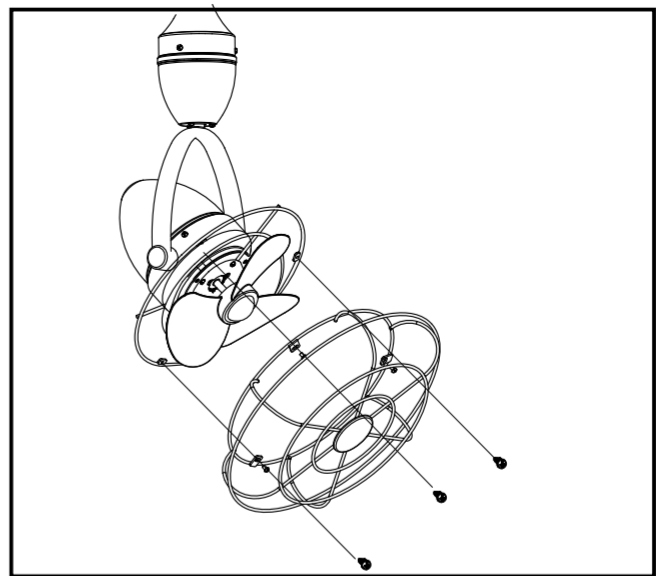
Connect the remote control according to the wiring diagram.



Install the cage according to the diagram and tighten three screws



Install the fan blade cap as shown.



Install the cage according to the diagram and tighten three screws.

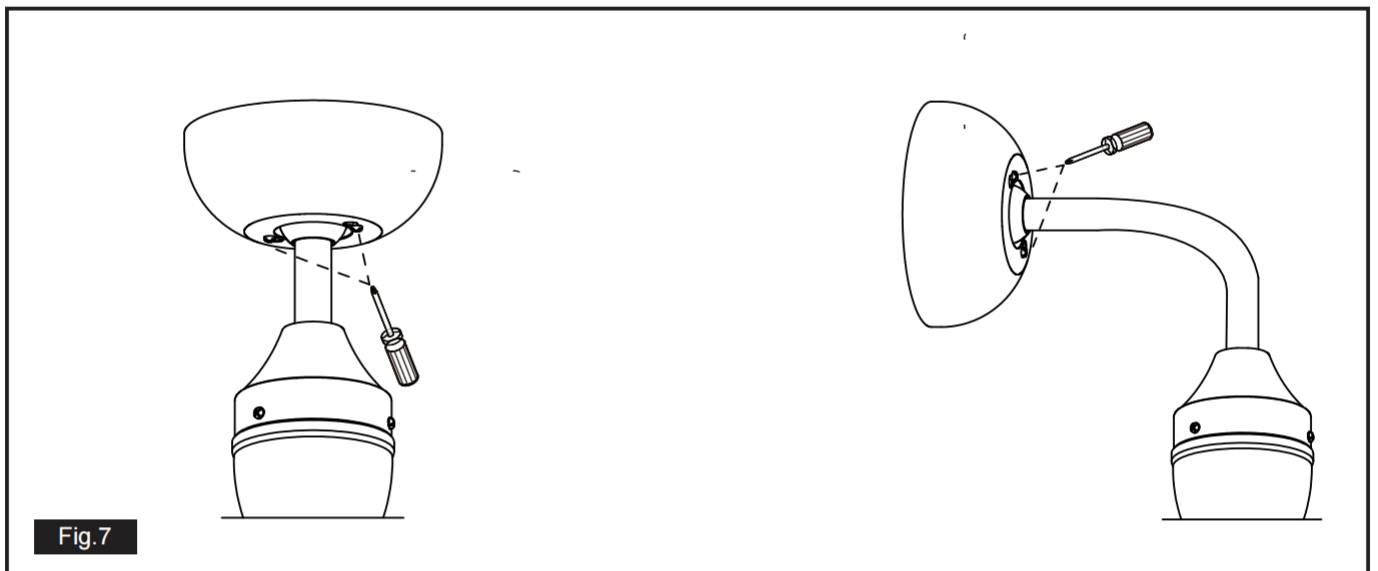
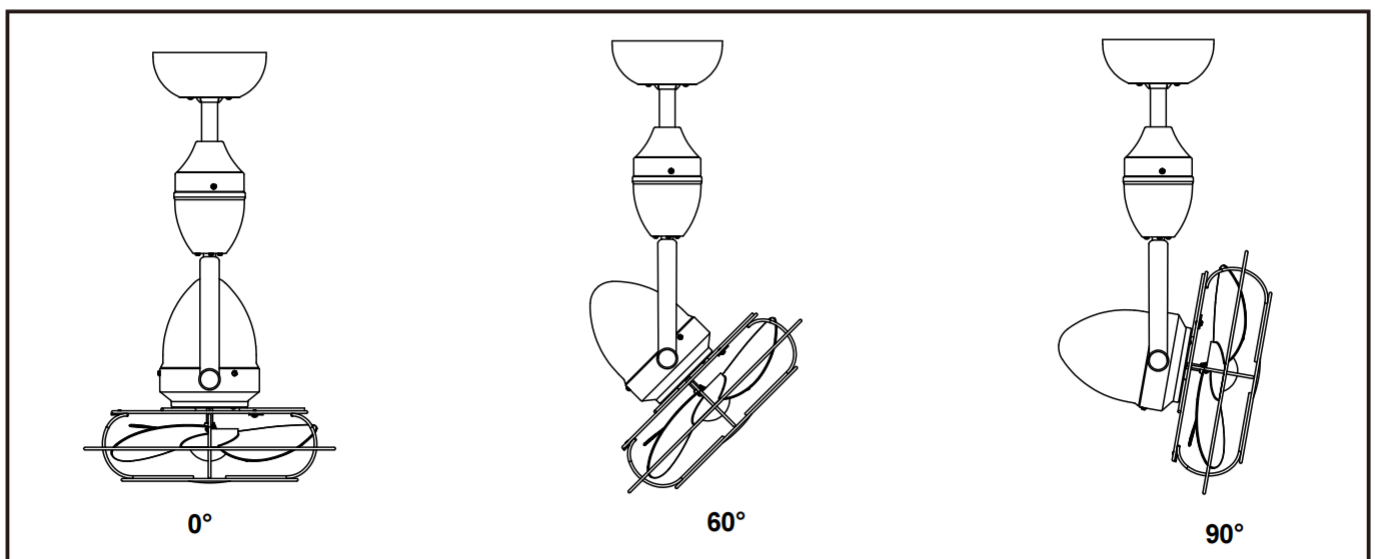


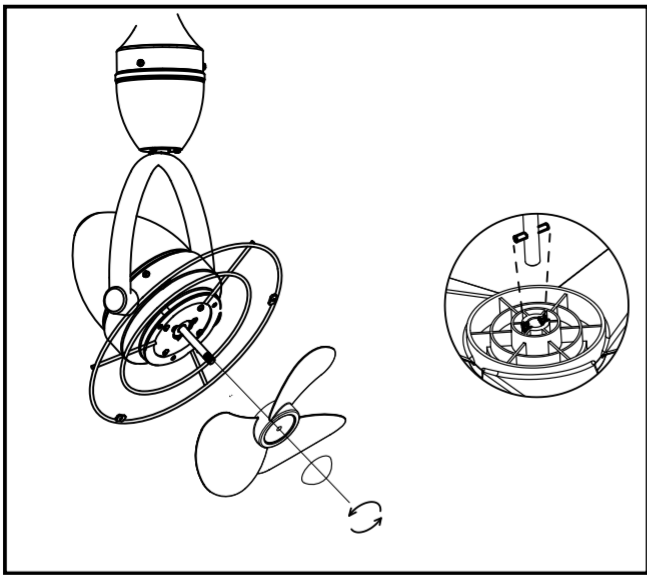
Fig.7

Install the canopy on the Mounting Bracket and tighten the two fixing screws.

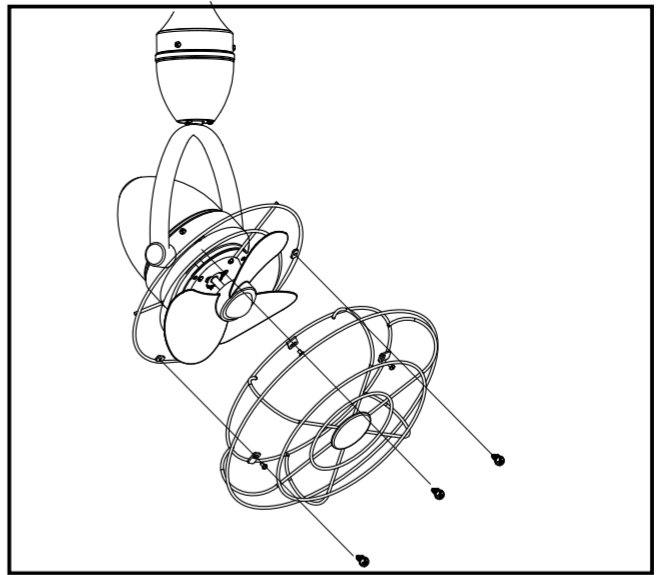


The fan angle of the fan host can be adjusted according to the needs of use.





Install the fan blade cap as shown.



Install the cage according to the diagram and tighten three screws.

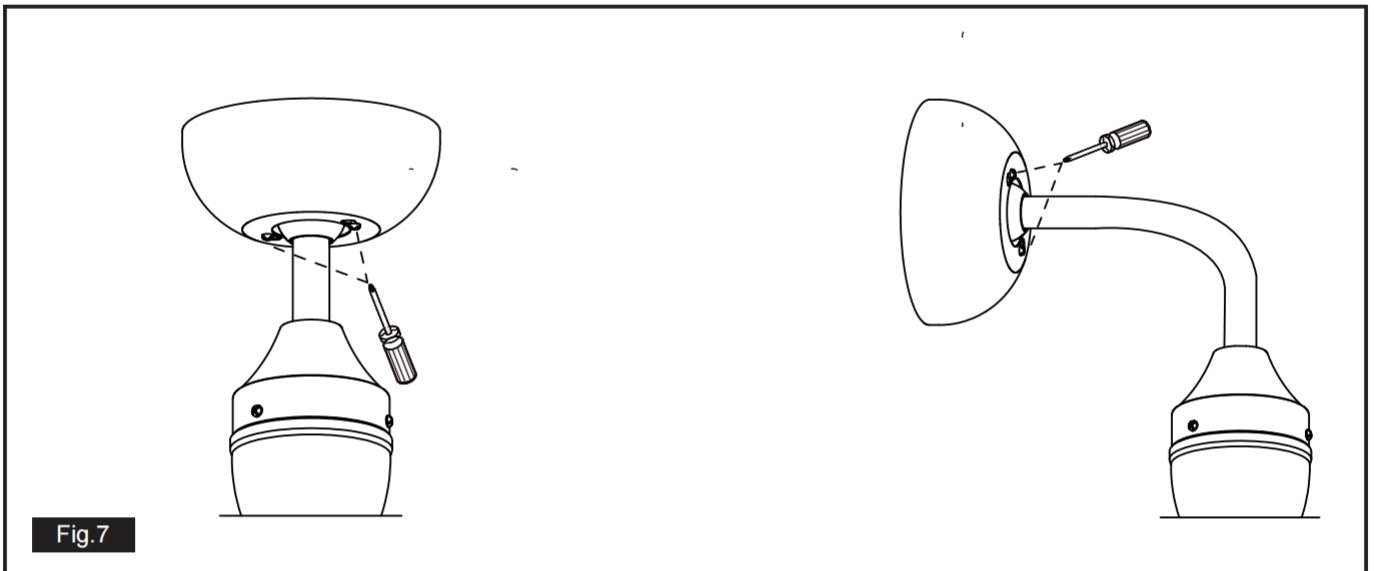
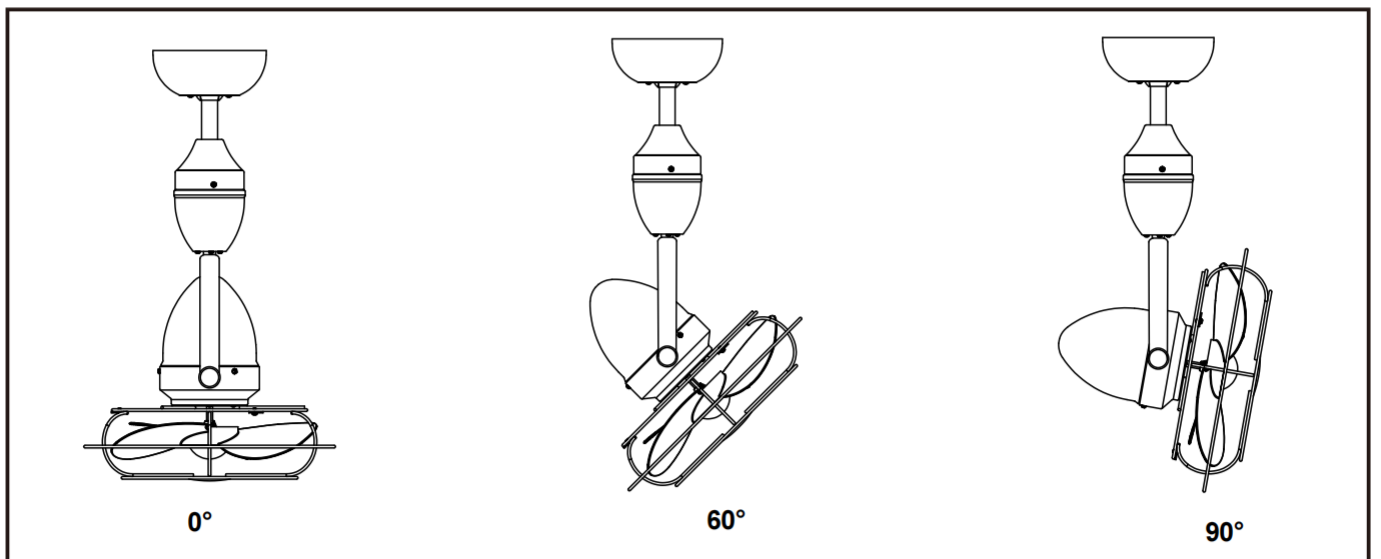
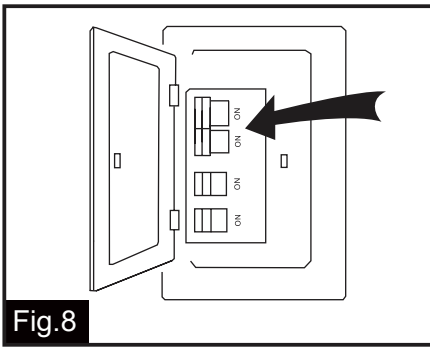


Fig.7

Install the canopy on the Mounting Bracket and tighten the two fixing screws.



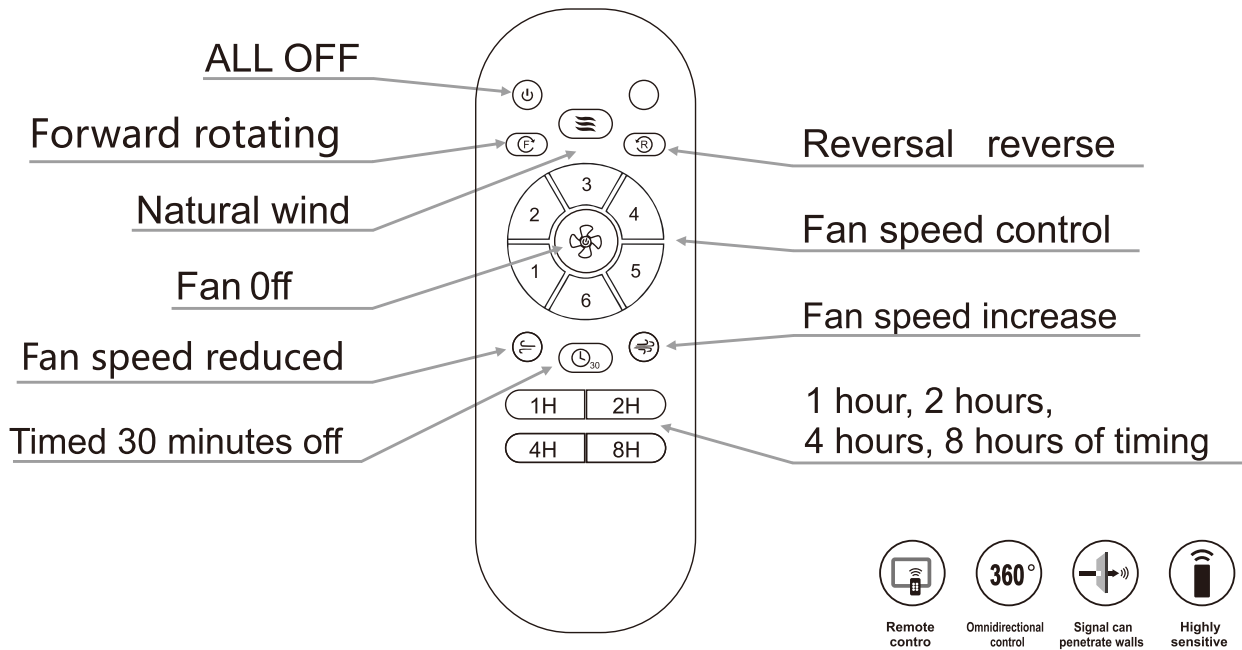
The fan angle of the fan host can be adjusted according to the needs of use.



Turn on power at the main fuse or circuit breaker box.

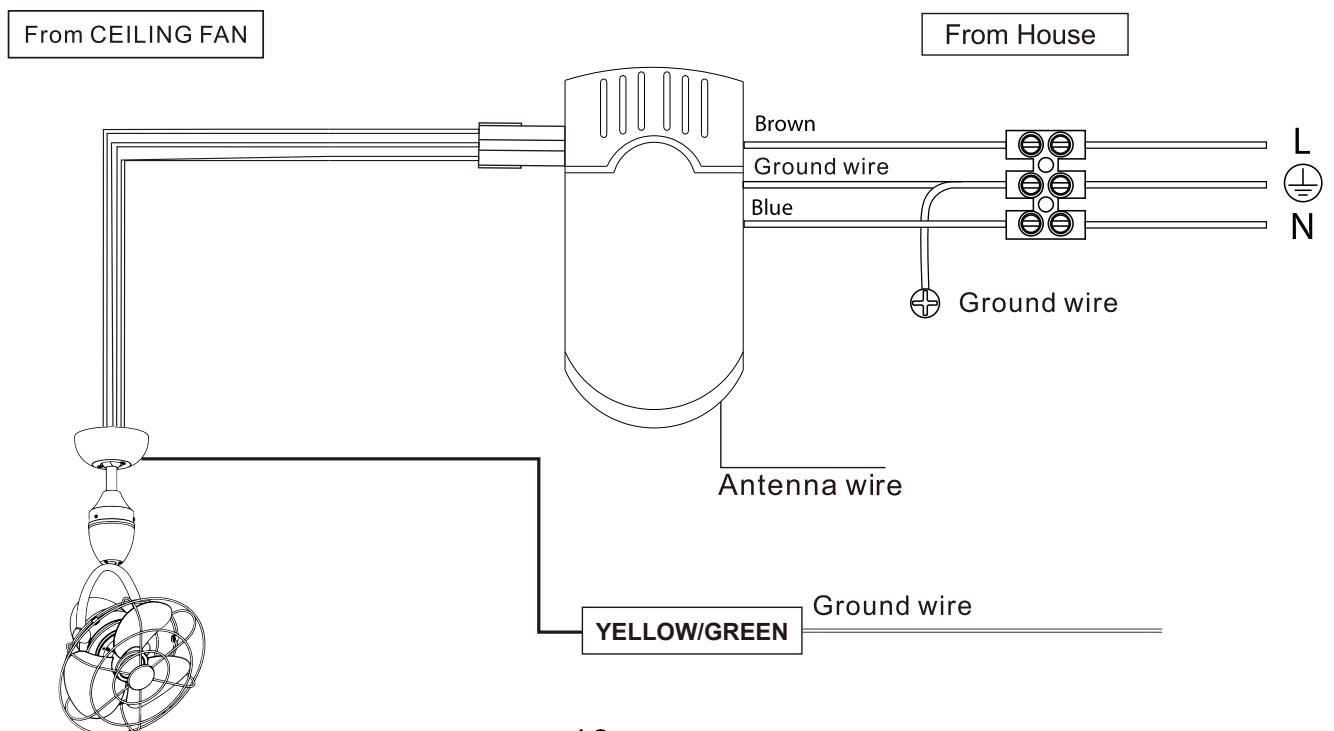
Fig.8

## Remote control wiring diagram



**WARNING:** Turn off the electric power during installation and making wire connection.

1. Connect the wire which from ceiling fan into the receiver
2. Connect the wire from receiver with the wire from house.



# Care and Cleaning



**WARNING:** Make sure the power is off before cleaning your fan.

- Because of the fan's natural movement, some connections may become loose. Check the support connections, brackets, and blade attachments twice a year. Make sure they are secure. It is not necessary to remove the fan from the ceiling.
- Clean your fan periodically to help maintain its new appearance over the years. Do not use water when cleaning, as this could damage the motor, or the wood, or possibly cause an electrical shock. Use only a soft brush or lint-free cloth to avoid scratching the finish. The plating is sealed with a lacquer to minimize discoloration or tarnishing.
- You can apply a light coat of furniture polish to the wood for additional protection and enhanced beauty. Cover small scratches with a light application of shoe polish.
- You do not need to oil your fan. The motor has permanently-lubricated sealed ball bearings.

# Troubleshooting

Problem	Solution
The fan will not start.	<ul style="list-style-type: none"> <li>□ Check the main and branch circuit fuses or breakers.</li> <li>□ Check the line wire connections to the fan and switch wire connections in the switch housing.</li> </ul>
The fan is noisy.	<ul style="list-style-type: none"> <li>□ Ensure all motor housing screws are snug.</li> <li>□ Ensure the screws that attach the fan blade bracket to the motor hub are tight.</li> <li>□ Ensure the wire nut connections are not rattling against each other or the interior wall of the switch housing.</li> <li>□ Allow a 24-hour "breaking in" period. Most noises associated with a new fan disappear during this time.</li> <li>□ If you are using the Ceiling Fan light kit, ensure the screws securing the glassware are tight. Check that the light bulbs are also secure.</li> <li>□ Ensure the canopy is a short distance from the ceiling. It should not touch the ceiling.</li> <li>□ Ensure your outlet box is secure and rubber isolator pads were used between the mounting plate and outlet box.</li> </ul>